

## How to Order

**VHK 2 02S 02S R L**  
**VHK 2 R 04F 04F R L C**

**Flame resistant type**

**Valve model**

2	2 port valve
3	3 port valve

**Flame resistant type**

04F	ø4
06F	ø6
08F	ø8
10F	ø10
12F	ø12
M5	M5 x 0.8
01S	R 1/8
02S	R 1/4
03S	R 3/8
04S	R 1/2

**1(P) port size**

**2(A) port size**

04F	ø4
06F	ø6
08F	ø8
10F	ø10
12F	ø12
M5	M5 x 0.8
01S	R 1/8
02S	R 1/4
03S	R 3/8
04S	R 1/2

**Bracket**

Nil	None
L	With L-bracket

\* Bracket and screws are attached.

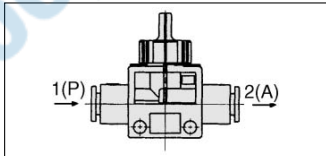
**Flame resistant cover**

Nil	No
C	With cover (For One-touch fitting only)

**1(P) nob color**

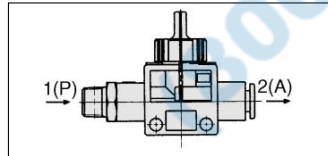
Nil (Standard)	2 port valve	Gray
R (Option)	3 port valve	Blue
	3 port valve	Red

### Standard Type



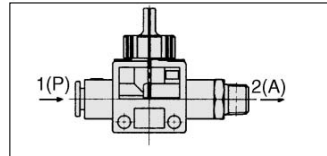
1(P): One-touch fitting  
2(A): One-touch fitting

1(P)	2(A) Applicable tubing O.D. (mm)				
	ø4	ø6	ø8	ø10	ø12
ø4	●				
ø6	●	●			
ø8		●	●		
ø10			●	●	
ø12				●	●



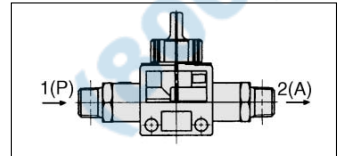
1(P): Male thread  
2(A): One-touch fitting

1(P)	2(A) Applicable tubing O.D. (mm)				
	ø4	ø6	ø8	ø10	ø12
M5	●	●			
1/8	●	●	●		
1/4		●	●	●	●
3/8		●	●	●	●
1/2				●	●



1(P): One-touch fitting  
2(A): Male thread

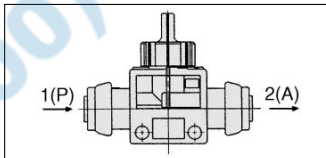
1(P)	2(A) Port size R				
	M5	1/8	1/4	3/8	1/2
ø4	●	●			
ø6	●	●	●	●	
ø8		●	●	●	
ø10			●	●	●
ø12			●	●	●



1(P): Male thread  
2(A): Male thread

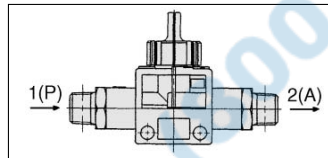
1(P)	2(A) Port size R				
	M5	1/8	1/4	3/8	1/2
M5	●				
1/8	●	●			
1/4		●	●		
3/8			●	●	
1/2				●	●

### Flame Resistant Type (UL-94 Standard V-0 equivalent)



1(P): One-touch fitting  
2(A): One-touch fitting

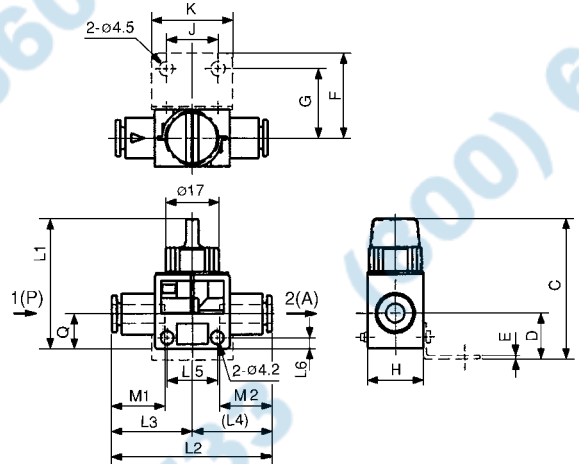
1(P)	2(A) Applicable tubing O.D. (mm)				
	ø4	ø6	ø8	ø10	ø12
ø4	●				
ø6		●			
ø8			●		
ø10				●	
ø12					●



1(P): Male thread  
2(A): Male thread

1(P)	2(A) Port size R			
	1/8	1/4	3/8	1/2
1/8	●			
1/4		●		
3/8			●	
1/2				●

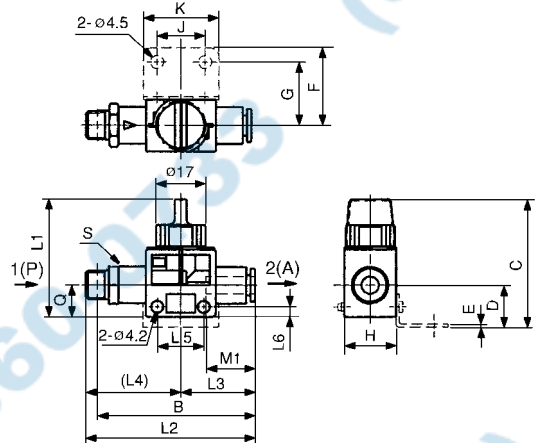
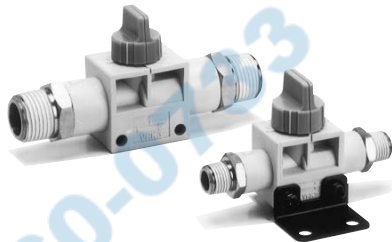
## 1(P)/2(A): One-touch Fitting



Applicable tubing O. D. (mm)		Model	H	L1	L2	L3	L4	L5	L6	M1	M2	Q	Effective area (mm <sup>2</sup> )		Weight (g)	Bracket mounting dimensions							
1(P)	2(A)												1(P) R 2(A)	2(A) R 3(R)		Bracket assembly no.							
4	4	VHK□-04F-04F	18	41	47.6	23.8	23.8	16.5	3.5	15.8	11	11	3.4	1.2	15	VHK-B1A	44.5	14.5	1	27	22	16.5	26
6	4	VHK□-06F-04F	18	41	48	24.3	23.7	16.5	3.5	16.8	11	11	5.1	1.2	15	VHK-B1A	44.5	14.5	1	27	22	16.5	26
	6	VHK□-06F-06F			48.6	24.3	16.8						7.2										
8	6	VHK□-08F-06F	18	41	50.5	26.2	24.3	16.5	3.5	18.7	11	11	9	1.2	16	VHK-B1A	44.5	14.5	1	27	22	16.5	26
	8	VHK□-08F-08F			52.4	26.2	18.7						9.7										
10	8	VHK□-10F-08F	22	46	58.5	30.5	28	21.5	4	20.8	14	14	13.7	3.2	28	VHK-B2A	49	17	1	30	25	21.5	31
	10	VHK□-10F-10F			61	30.5	20.8						16.1										
12	10	VHK□-12F-10F	22	46	62	31.5	30.5	21.5	4	21.8	14	14	17	3.2	31	VHK-B2A	49	17	1	30	25	21.5	31
	12	VHK□-12F-12F			63	31.5	21.8						17.5										

\* 3 port valve

## 1(P): Male Thread, 2 (A): One-touch Fitting

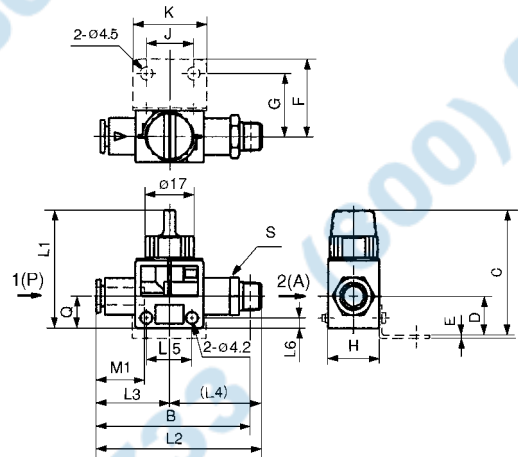


Connection thread R	Applicable tubing O. D. (mm)	Model	H	L1	L2	L3	L4	L5	L6	M1	Q	Effective area (mm <sup>2</sup> )		Weight (g)	S (Width across flats)	Bracket mounting dimensions									
												1(P) R 2(A)	2(A) R 3(R)			Bracket assembly no.								C	D
M5	4	VHK□-M5-04F	18	41	52.9	23.8	29.1	16.5	3.5	15.8	11	11	2.0	1.2	19	49	11	VHK-B1A	44.5	14.5	1	27	22	16.5	26
	6	VHK□-M5-06F			53.9	24.3	29.6						16.8		21	50	13								
1/8	4	VHK□-01S-04F	18	41	55.4	23.8	31.6	16.5	3.5	16.8	11	11	3.4	1.2	21	51	11	VHK-B1A	44.5	14.5	1	27	22	16.5	26
	6	VHK□-01S-06F			56.9	24.3	32.6						16.8		23	53	13								
1/4	8	VHK□-01S-08F	18	41	62.2	26.2	36	16.5	3.5	18.7	11	11	9.7	1.2	31	58	17	VHK-B1A	44.5	14.5	1	27	22	16.5	26
	6	VHK□-02S-06F			60.4	24.3	36.1						16.8		7.2	31	54								
	8	VHK□-02S-08F	65.2	26.2	39	18.7	9.7	32	59	17	VHK-B2A	49	17	1	27	22	16.5	26							
	10	VHK□-02S-10F	73.8	30.5	43.3	20.8	16.1	49	68	19															
12	VHK□-02S-12F	76.3	31.5	44.8	21.8	17.5	63	70	22	VHK-B2A	49	17	1	30	25	21.5	31								
3/8	6	VHK□-03S-06F	18	41	62.4	24.3	38.1	16.5	3.5	16.8	11	11	7.2	1.2	41	56	17	VHK-B1A	44.5	11.5	1	27	22	16.5	26
	8	VHK□-03S-08F			66.2	26.2	40						18.7		9.7	40	60								
	10	VHK□-03S-10F	74.8	30.5	44.3	20.8	16.1	51	68	19	VHK-B2A	49	17	1	30	25	21.5	31							
12	VHK□-03S-12F	77.3	31.5	45.8	21.8	17.5	64	71	22																
1/2	10	VHK□-04S-10F	22	46	78.2	30.5	47.7	21.5	4	20.8	14	14	16.1	3.2	72	70	22	VHK-B2A	49	17	1	30	25	21.5	31
	12	VHK□-04S-12F			80.2	31.5	48.7						21.8		17.5	70	72								

\* 3 port valve  
\*\* Reference dimensions after insertion of R thread.

# Series VHK

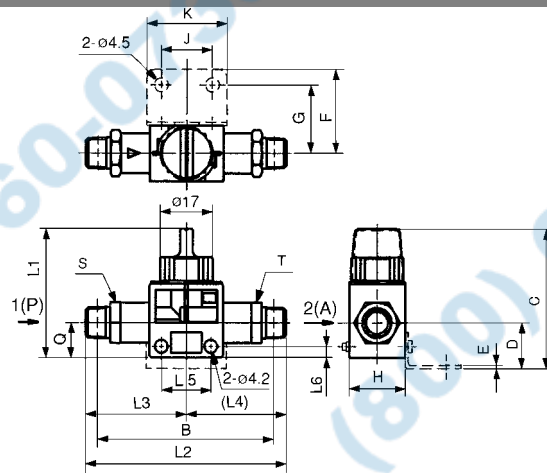
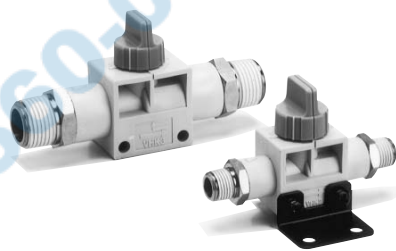
## 1(P): One-touch Fitting, 2(A): Male Thread



Applicable tubing O. D. (mm)	Connection thread R	Model	H	L1	L2	L3	L4	L5	L6	M1	Q	Effective area (mm <sup>2</sup> )		Weight (g)	B**	S (Width across flats)	Bracket mounting dimensions								
												1(P) R 2(A)	2(A) R 3(R)				Bracket assembly no.	C	D	E	F	G	J	K	
4	M5	VHK□-04F-M5	18	41	52.9	23.8	29.1	16.5	3.5	15.8	11	2.0	1.2	19	49	11	VHK-B1A	44.5	14.5	1	27	22	16.5	26	
	1/8	VHK□-04F-01S			55.4		31.6					3.4		21	51	13									
6	M5	VHK□-06F-M5	18	41	53.9	24.3	29.6	16.5	3.5	16.8	11	2.0	1.2	21	50	11	VHK-B1A	44.5	14.5	1	27	22	16.5	26	
	1/8	VHK□-06F-01S			56.9		32.6					23		53	13										
	1/4	VHK□-06F-02S			60.4		36.1					31		54	17										
	3/8	VHK□-06F-03S			62.4		38.1					41		56	14										
8	1/8	VHK□-08F-01S	18	41	62.2	26.2	36	16.5	3.5	18.7	11	9.7	1.2	31	58	17	VHK-B1A	44.5	14.5	1	27	22	16.5	26	
	1/4	VHK□-08F-02S			65.2		39					32		59	19										
	3/8	VHK□-08F-03S			66.2		40					40		60	22										
10	1/4	VHK□-10F-02S	22	46	73.8	30.5	43.3	21.5	4	20.8	14	16.1	3.2	49	68	17	VHK-B2A	49	17	1	30	25	21.5	31	
	3/8	VHK□-10F-03S			74.8		44.3					51		70											19
	1/2	VHK□-10F-04S			78.2		47.7					72		70											19
12	1/4	VHK□-12F-02S	22	46	76.3	31.5	44.8	21.5	4	21.8	14	17.5	3.2	63	70	22	VHK-B2A	49	17	1	30	25	21.5	31	
	3/8	VHK□-12F-03S			77.3		45.8					64		71											22
	1/2	VHK□-12F-04S			80.2		48.7					74		72											22

\* 3 port valve  
\*\* Reference dimensions after insertion of R thread.

## 1(P)/2(A): Male Thread



Connection thread R		Model	H	L1	L2	L3	L4	L5	L6	Q	Effective area (mm <sup>2</sup> )		Weight (g)	B**	S (Width across flats)	T (Width across flats)	Bracket mounting dimensions							
1(P)	2(A)										1(P) R 2(A)	2(A) R 3(R)					Bracket assembly no.	C	D	E	F	G	J	K
M5	M5	VHK□-M5-M5	18	41	58.2	29.1	29.1	16.5	3.5	11	2.0	1.2	23	51	11	11	VHK-B1A	44.5	14.5	1	27	22	16.5	26
1/8	M5	VHK□-01S-M5	18	41	61.6	32.6	29	16.5	3.5	11	2.0	1.2	26	54	13	13	VHK-B1A	44.5	14.5	1	27	22	16.5	26
	1/8	VHK□-01S-01S			65.2		32.6				30		57											
1/4	1/8	VHK□-02S-01S	18	41	71.6	39	32.6	16.5	3.5	11	9.0	1.2	39	62	17	13	VHK-B1A	44.5	14.5	1	27	22	16.5	26
	1/4	VHK□-02S-02S			78		39				47		66											
3/8	1/4	VHK□-03S-02S	22	46	85.1	44.3	40.8	21.5	4	14	13.7	3.2	65	73	19	17	VHK-B2A	49	17	1	30	25	21.5	31
	3/8	VHK□-03S-03S			88.6		44.3				72		76											
1/2	3/8	VHK□-04S-03S	22	46	93	48.7	44.3	21.5	4	14	15.1	3.2	90	79	22	19	VHK-B2A	49	17	1	30	25	21.5	31
	1/2	VHK□-04S-04S			97.4		48.7				101		81											

\* 3 port valve  
\*\* Reference dimensions after insertion of R thread.