



Operation Manual

PRODUCT NAME

MIST SEPARATOR

MODEL / Series / Product Number

AFM20-(F,N)01 ~ (F,N)02(B,C)(-2,6,C,J,R,Z)-A

AFM30-(F,N)02 ~ (F,N)03(B,C,D)(-2,6,8,J,R,W,Z)-A

AFM40-(F,N)02 ~ (F,N)04(B,C,D)(-2,6,8,J,R,W,Z)-A

AFM40-(F,N)06(B,C,D)(-2,6,8,J,R,W,Z)-A

SMC Corporation

Contents

	PAGE
1. SAFETY INSTRUCTIONS	1~5
2. APPLICATION	6
3. SPECIFICATIONS	6
4. HOW TO ORDER	7
5. OPTIONAL BRACKET ASSEMBLY	8
6. MAXIMUM APPLICABLE FLOW RATE	9
7. TROUBLESHOOTING	9
8. CONSTRUCTION / PARTS LIST	10
9. SPECIFICATIONS OF BOWL ASSEMBLY	11~18
10. REPLACEMENT PROCEDURE	19~22
11. DISASSEMBLY DRAWING	23
12. DIMENSIONS	24



MIST SEPARATOR

Safety Instructions

These safety instructions are intended to prevent hazardous situations and/or equipment damage. These instructions indicate the level of potential hazard with the labels of “Caution,” “Warning” or “Danger.” They are all important notes for safety and must be followed in addition to International Standards (ISO/IEC)*1), and other safety regulations.

*1) ISO 4414: Pneumatic fluid power -- General rules relating to systems.

ISO 4413: Hydraulic fluid power -- General rules relating to systems.

IEC 60204-1: Safety of machinery -- Electrical equipment of machines .(Part 1: General requirements)

ISO 10218: Manipulating industrial robots -Safety.

etc.



Caution

Caution indicates a hazard with a low level of risk which, if not avoided, could result in minor or moderate injury.



Warning

Warning indicates a hazard with a medium level of risk which, if not avoided, could result in death or serious injury.



Danger

Danger indicates a hazard with a high level of risk which, if not avoided, will result in death or serious injury.

Warning

1. The compatibility of the product is the responsibility of the person who designs the equipment or decides its specifications.

Since the product specified here is used under various operating conditions, its compatibility with specific equipment must be decided by the person who designs the equipment or decides its specifications based on necessary analysis and test results.

The expected performance and safety assurance of the equipment will be the responsibility of the person who has determined its compatibility with the product.

This person should also continuously review all specifications of the product referring to its latest catalog information, with a view to giving due consideration to any possibility of equipment failure when configuring the equipment.

2. Only personnel with appropriate training should operate machinery and equipment.

The product specified here may become unsafe if handled incorrectly.

The assembly, operation and maintenance of machines or equipment including our products must be performed by an operator who is appropriately trained and experienced.

3. Do not service or attempt to remove product and machinery/equipment until safety is confirmed.

1. The inspection and maintenance of machinery/equipment should only be performed after measures to prevent falling or runaway of the driven objects have been confirmed.

2. When the product is to be removed, confirm that the safety measures as mentioned above are implemented and the power from any appropriate source is cut, and read and understand the specific product precautions of all relevant products carefully.

3. Before machinery/equipment is restarted, take measures to prevent unexpected operation and malfunction.

4. Contact SMC beforehand and take special consideration of safety measures if the product is to be used in any of the following conditions.

1. Conditions and environments outside of the given specifications, or use outdoors or in a place exposed to direct sunlight.

2. Installation on equipment in conjunction with atomic energy, railways, air navigation, space, shipping, vehicles, military, medical treatment, combustion and recreation, or equipment in contact with food and beverages, emergency stop circuits, clutch and brake circuits in press applications, safety equipment or other applications unsuitable for the standard specifications described in the product catalog.

3. An application which could have negative effects on people, property, or animals requiring special safety analysis.

4. Use in an interlock circuit, which requires the provision of double interlock for possible failure by using a mechanical protective function, and periodical checks to confirm proper operation.



MIST SEPARATOR

Safety Instructions

Caution

1. The product is provided for use in manufacturing industries.

The product herein described is basically provided for peaceful use in manufacturing industries.

If considering using the product in other industries, consult SMC beforehand and exchange specifications or a contract if necessary.

If anything is unclear, contact your nearest sales branch.

Limited warranty and Disclaimer/Compliance Requirements

The product used is subject to the following "Limited warranty and Disclaimer" and "Compliance Requirements".

Read and accept them before using the product.

Limited warranty and Disclaimer

1. The warranty period of the product is 1 year in service or 1.5 years after the product is delivered, whichever is first.

Also, the product may have specified durability, running distance or replacement parts. Please consult your nearest sales branch.

2. For any failure or damage reported within the warranty period which is clearly our responsibility, a replacement product or necessary parts will be provided.

This limited warranty applies only to our product independently, and not to any other damage incurred due to the failure of the product.

3. Prior to using SMC products, please read and understand the warranty terms and disclaimers noted in the specified catalog for the particular products.

Compliance Requirements

1. The use of SMC products with production equipment for the manufacture of weapons of mass destruction (WMD) or any other weapon is strictly prohibited.

2. The exports of SMC products or technology from one country to another are governed by the relevant security laws and regulation of the countries involved in the transaction. Prior to the shipment of a SMC product to another country, assure that all local rules governing that export are known and followed.

Precautions for design

⚠ WARNING

- ① Consult SMC if no leakage is allowed due to the environment, or operating fluid is not air.
- ② External parts including the bowl (Material: polycarbonate) are made of resin. Organic solvents including synthetic fluid, chemicals including acetone, alcohol, ethylene chloride, sulphuric acid, nitrate, hydrochloric acid, cutting oil, kerosene, gasoline, lock material of screw are harmful. Do not use the mist separator where containing those.

Effects organic solvents and chemicals, and where these elements are likely to adhere to the equipment.

Chemical data for substances causing degradation (Reference)

Type	Chemical name	Application examples	Material	
			Polycarbonate	Nylon
Acid	Hydrochloric acid Sulphuric acid, Phosphoric acid Chromic acid	Acid washing liquid for metals	△	×
Alkaline	Sodium hydroxide (Caustic soda) Potash Calcium hydroxide (Slack lime) Ammonia water Carbonate of soda	Degreasing of metals Industrial salts Water-soluble cutting oil	×	○
Inorganic salts	Sodium sulphide Sulphate of potash Sulphate of soda	—	×	△
Chlorine solvents	Carbon tetrachloride Chloroform Ethylene chloride Methylene chloride	Cleaning liquid for metals Printing ink Dilution	×	△
Aromatic series	Benzene Toluene Paint thinner	Coatings Dry cleaning	×	△
Ketone	Acetone Methyl ethyl ketone Cyclohexane	Photographic film Dry cleaning Textile industries	×	×
Alcohol	Ethyl alcohol IPA Methyl alcohol	Antifreeze Adhesives	△	×
Oil	Gasoline Kerosene	—	×	○
Ester	Phthalic acid dim ethyl Phthalic acid diethyl Acetic acid	Synthetic oil Anti-rust additives	×	○
Ether	Methyl ether Ethyl ether	Brake oil additives	×	○
Amino	Methyl amino	Cutting oil Brake oil additives Rubber accelerator	×	×
Other	Thread -lock fluid Seawater Leak tester	—	×	△
△ : Some effects may occur × : Effects will occur				

When the above factors are present, or there is some doubt, use a metal bowl for safety.

- ③ Avoid the application where charge and discharge of pressure to bowl is switched frequently. This may damage the bowl. For this kind of application, the metal bowl is recommended.
- ④ Protect from ultra violet ray and radiation heat by shield.

⚠ CAUTION

- ① Design the system so that the mist separator is installed in a pulsation-free location. The difference between internal and external pressure inside the element should be kept within 0.1MPa, as exceeding this value could cause damage.
- ② AD27-A with auto drain may leak during exhaust of pressure. (This leakage is allowed in their constructions and not failure.) Be sure to connect piping for drain.

Selection

⚠ WARNING

- ① Fluorine grease and Mineral grease used on internal surfaces and packing may leak to the outlet. Please contact SMC if this is a problem.
- ② N.O. type auto drain should be used under the following requirements to avoid operating
Output of compressor: 0.75kW or more.
Discharged flow rate: 100L/min (ANR) or more.
If multiple auto drains are used, confirm used compressor has capacity over the result of multiplying the above capacity and the number of used auto drains.
{For example, in case of two auto drain, the compressor need the capacity over 1.5kW [200L/min (ANR)].}
Operating pressure: 0.1MPa or more at min..
- ③ N.C. type auto drain should be used under the following requirements to avoid operating
Operating pressure: 0.1MPa or more at min. for AD27-A, 0.15MPa or more at min. for AD37-A and AD47-A.

⚠ CAUTION

- ① Do not allow air flow that exceeds the rated flow.
If the air flow is allowed outlet side the range of the rated flow even momentarily, drainage and lubricant may splash at the outlet side or cause damage to the component.
- ② Do not use in a low pressure application (such as a blower). F.R.L. unit has its own minimum operating pressure and is designed specifically to function with compressed air. If used below the minimum operating pressure, a loss of performance and malfunction can occur.

Installation

⚠ CAUTION

- ① Do not drop nor apply impact during transportation or installation. This can cause damage to the product.
- ② Do not install in areas of high humid or high temperature. It causes damage of the product and malfunction.
- ③ Connect the mist separator ensuring the direction of "1" (IN) and "2" (OUT) for air direction or an arrow. Wrong connection may cause malfunction.
- ④ Install vertically so that outlet of drain would turned downward. Use with the outlet of drain turned horizontal or upward causes malfunction.
- ⑤ Make a space to provide easy access at the bottom when replacing element or draining bowl. The required space is shown on 「12. Dimensions」 (P24).

Piping

⚠ WARNING

- ① Blow out or clean piping before piping to eliminate swarf, cutting oil, solid foreign material. Contamination of piping may cause damage or malfunction.
- ② When installing piping, avoid chips and sealing materials from piping screws entering the inside of equipment. Or malfunction may occur. When use sealing tapes, leave 1.5~2 threads of the end of thread exposed.

- ③ Hold the female screw side and screw in piping with recommended tightening torque. Insufficient tightening torque lead to cause loose piping or sealing failure. Excessive torque may lead to cause screw breakage. Tightening without holding female screw side applies excessive force to the piping bracket which lead to cause breakage.

Recommended torque unit: N·m

Screw	M5	1/8	1/4	3/8	1/2	3/4	1
Torque	*1	7~9	12~14	22~24	28~30	28~30	36~38

*1: First, tighten it by hand , then give it an additional 1/6 turn with a wrench.

- ④ Do not apply any torsional moment, or bending moment except the weight of the air filter itself. External piping needs to be supported separately. Hard piping like steel tube is susceptible to excessive moment load or vibration. Insert the flexible tube to cancel the influence.
- ⑤ Drain guide is not equipped with valve function. Be sure to connect piping for drain. No piping for drain allows the drain and compressed air to exhaust freely. Also, the piping should be performed with drain guide held by spanner to prevent breakage of bowl.
- ⑥ The piping for drain from auto drain should be connected under the following requirements to avoid operating failure.
- AD27-A: I.D. $\Phi 2.5$ ($\Phi 3/32$ ") at min., Length 5m (200") at max.
 AD37, 47(N)-A: I.D. $\Phi 4$ ($\Phi 3/16$ ") at min., Length 5m (200") at max.
 AD38, 48(N)-A: I.D. $\Phi 6.5$ ($\Phi 1/4$ ") at min., Length 5m (200") at max.

Air Source

WARNING

- ① Use clean air. Compressed air containing chemicals, organic solvent, synthetic oil or corrosive gas may lead to cause breakage of parts or malfunction.
- ② Air containing too much moisture may cause malfunction. Install the air drier or the aftercooler before the mist separator.

CAUTION

- ① Do not install on the inlet side of the dryer as this can cause premature clogging of the element.
- ② Install an air filter (Series AF) as a preliminary filter on the inlet side of the mist separator to prevent premature clogging.

Maintenance

WARNING

- ① Maintenance and checks should be done by following the procedure in the operation manual. Incorrect handling of the product may cause breakage or malfunction of the equipment or device.
- ② Perform periodical check to find cracks, flaws or other deterioration on resin bowl. If any of them is seen, as malfunction is caused, replace with new bowl.
- ③ Check for dirt in resin bowl periodically. If any dirt is seen, replace with new bowl. And if removing off the dirt by washing instead of using a replacement, never use washing material other than neutral detergent. Otherwise, the bowl is damaged.
- ④ Open and close drain cock manually. Open and close too much may damage the drain cock.
- ⑤ Replace the element before 2 years passed since purchase or pressure drop from initial outlet pressure reaches 0.1MPa. Or the element is broken.

CAUTION

- ① Drain the bowl by opening drain cock before the drain level in the bowl reaches element assembly.
- ② Rotate the handle counterclockwise (O←direction) to exhaust the condensate of the C2SF(-C)-A. Press the push button to exhaust the condensate of the C3SF(-W)-A and C4SF(-W)-A.
- ③ Check the element periodically and replace it with a new one if necessary. If it is found that outlet pressure drops or the flow is restricted, check the condition of the element.
- ④ The manual exhaust for emergency case can be performed by counterclockwise rotation of the handle in AD27-A. (O←direction)
 For AD37-A, AD38-A, AD47-A and AD48-A, rotate the drain cock counterclockwise in that case. (O←direction)
- ⑤ For the N.C. type auto drain, when there is no pressure, condensate which does not operate the auto drain mechanism will remain in the bowl. It is recommended to release the residual condensate manually at the end of the working day.

2. APPLICATION

This instrument aims at, eliminating oil of the air line and solid foreign material of air lines.

3. SPECIFICATIONS

Model	AFM20-A	AFM30-A	AFM40-A	AFM40-06-A
Port size	1/8, 1/4	1/4, 3/8	1/4, 3/8, 1/2	3/4
Fluid	Air			
Ambient and fluid temperature	-5 ~ 60°C (Should be no freezing)			
Proof pressure	1.5 MPa			
Max. operating pressure	1.0 MPa			
Min. operating pressure	0.05 MPa			
Filtration	0.3 μm (FILTRATION EFECIENCY 99.9%)			
Oil mist density at the out side	MAX.1.0 mg/m ³ (ANR)(≒0.008ppm) ^{Note1)} ^{Note2)}			
Flow rate[L/min(ANR)] ^{Note3)}	200	450	1100	
Drain capacity (cm ³)	8	25	45	
Bowl material	Polycarbonate			
Bowl guard	Semi-standard (Steel plate)	Standard (Polycarbonate)		
Mass (kg)	0.09	0.19	0.38	0.43

Note1) When the compressor oil mist discharge concentration is 30mg/Nm³(ANR).

Note2) Bowl O ring and other O rings are slightly lubricated.

Note3) Conditions: Inlet pressure: 0.7MPa; The rated flow varies depending on the inlet pressure. Keep the air flow within the rated flow to prevent an outflow of lubricant to the outlet side.

4. HOW TO ORDER

AFM 30 - F 03 BD - - A

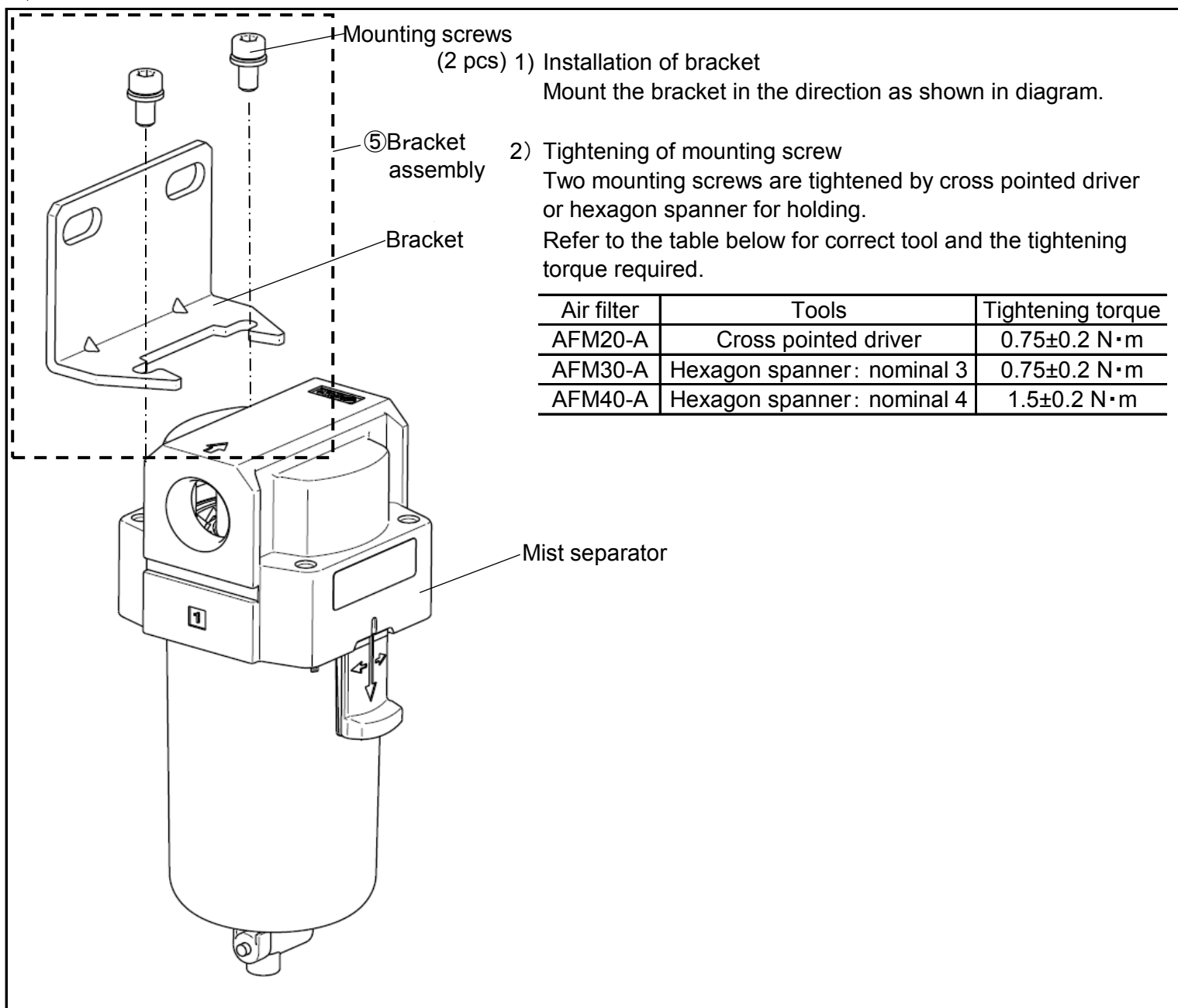
1
 2
 3
 4
 5

		Symbol	Description	1			
				Body size			
				20	30	40	
2	Thread type	Nil	Rc	●	●	●	
		N	NPT	●	●	●	
		F	G	●	●	●	
+							
3	Port size	01	1/8	●	-	-	
		02	1/4	●	●	●	
		03	3/8	-	●	●	
		04	1/2	-	-	●	
		06	3/4	-	-	●	
+							
4	a	Mounting	Nil	Without mounting option	●	●	●
			B	With bracket	●	●	●
	+						
	b	Float type auto drain	Nil	Without auto drain	●	●	●
			C	With float type auto drain (N.C.)	●	●	●
			D	With float type auto drain (N.O.)	-	●	●
+							
5	c	Bowl	Nil	Polycarbonate bowl	●	●	●
			2	Metal bowl	●	●	●
			6	Nylon bowl	●	●	●
			8	Metal bowl with level gauge	-	●	●
			C	With bowl guard (steel plate)	●	-	-
			6C	With bowl guard (steel plate) · Nylon bowl	●	-	-
	+						
	d	Drain port	Nil	With drain cock	●	●	●
			J	Drain guide 1/8	●	-	-
				Drain guide 1/4	-	●	●
	W	Drain cock With barb fitting (For Φ 6xΦ 4 nylon tube)	-	●	●		
	+						
e	Flow direction	Nil	Flow direction: Left to right	●	●	●	
		R	Flow direction: Right to left	●	●	●	
+							
f	Pressure unit	Nil	Name plate and caution plate for bowl in imperial units: MPa, °C	●	●	●	
		Z	Name plate and caution plate for bowl in imperial units: psi, °F	●	●	●	

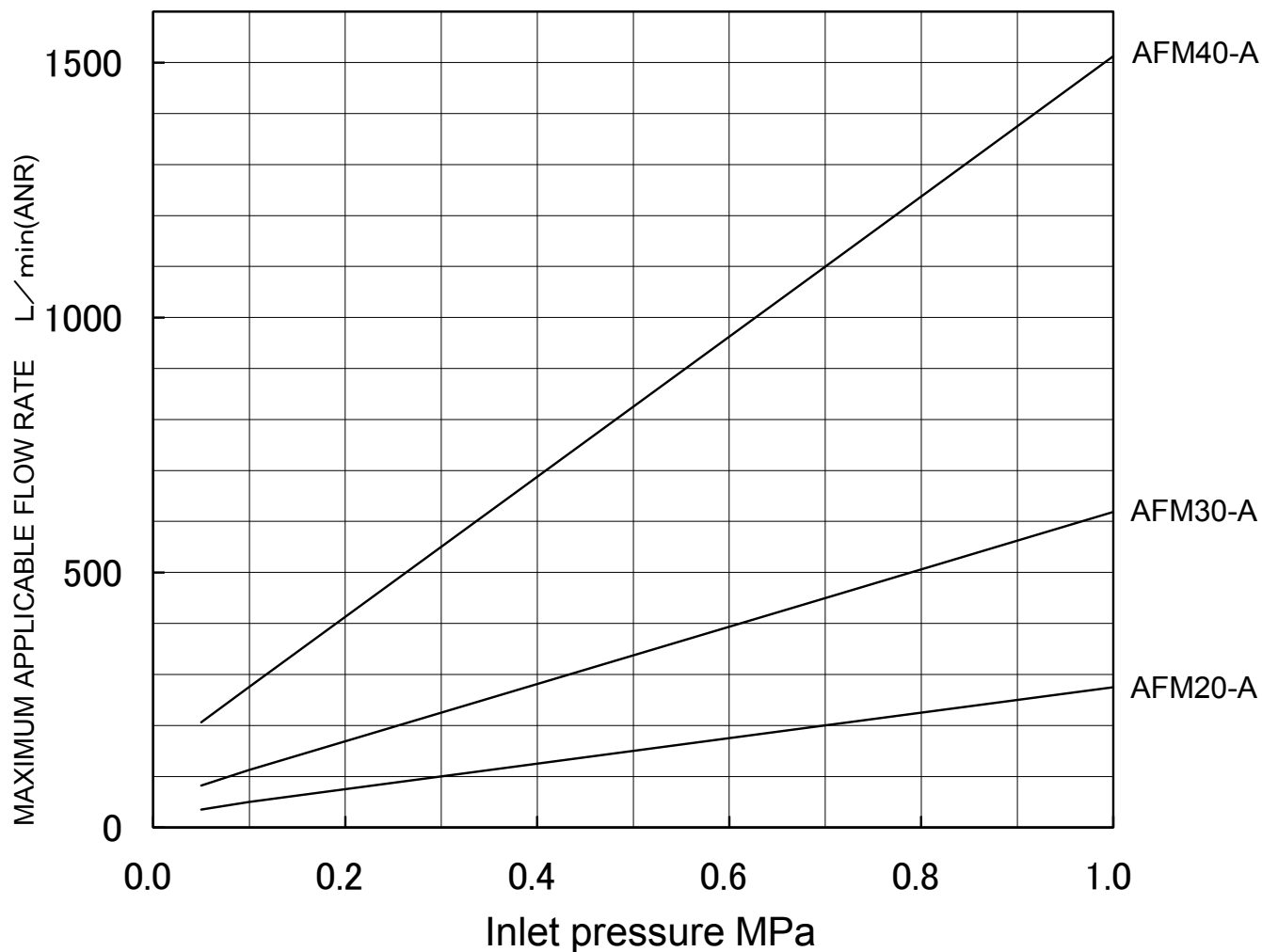
※ Please refer to the catalog when you select the model. □

5. OPTIONAL BRACKET ASSEMBLY

1) Bracket



6. MAXIMUM APPLICABLE FLOW RATE



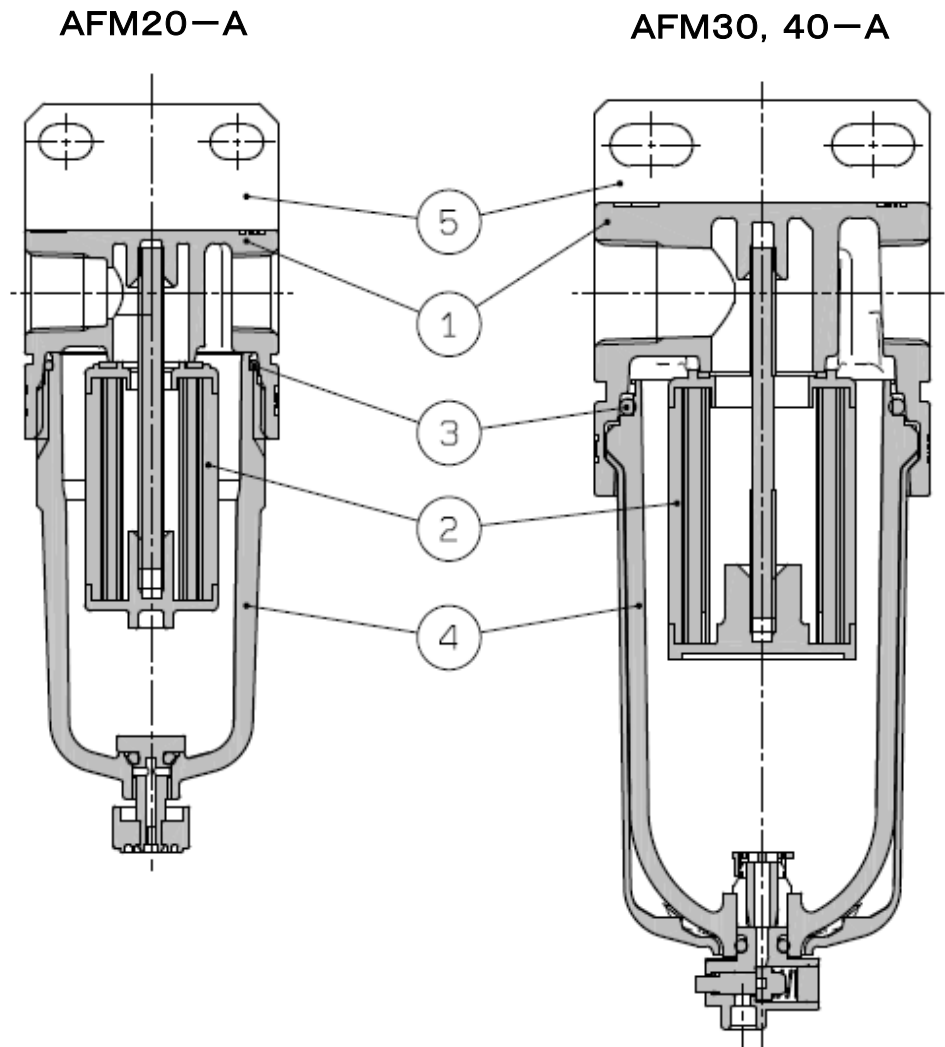
7. TROUBLESHOOTING

Refer to 「8. CONSTRUCTION / PARTS LIST」 (P10), 「11. DISASSEMBLY DRAWING」 (P23).

TROUBLE		POSSIBLE CAUSE	REMEDY
DEMARCATATION	PHENOMENON		
Flow rate	Large air resistance reduces flow rate.	1. Clog of the element.	1. Replace the element.
Air leaks	Air leaks between the bowl and the body.	1. Breakage of bowl packing.	1. Replace the bowl packing. Grease up before assembling.
	Air leaks from the bowl.	1. Breakage of bowl.	1. Replace the bowl assembly or with metal bowl.
	Air leaks from the drain cock.	1. The foreign matter caught in the valve of the drain cock. 2. Breakage of the seating part of the drain cock.	1. Open the drain cock for a few seconds for blowing. 2. Replace the bowl assembly.
Operational	No drainage when the drain cock is opened.	1. Blockage of outlet of the drain cock due to solid foreign matter etc.	1. Replace the bowl assembly.
	Too much drain comes from the piping of outlet side.	1. Drain level reaches the baffle plate.	1. Open the drain cock for draining and replace the element.

Note) The grease used recommends fluorine grease.

8. CONSTRUCTION / PARTS LIST



Component Parts

No.	Description	Material	Note
①	Body	Aluminium die cast	Urban white 1

Option / Replacement Parts

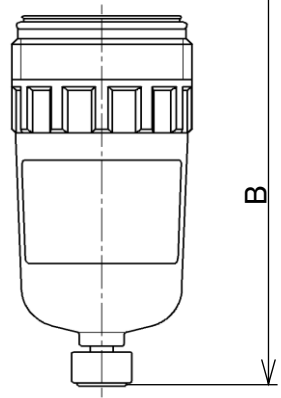
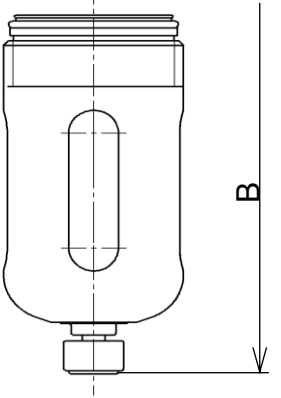
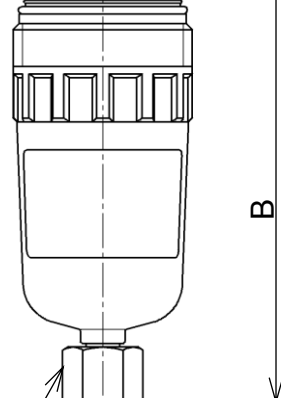
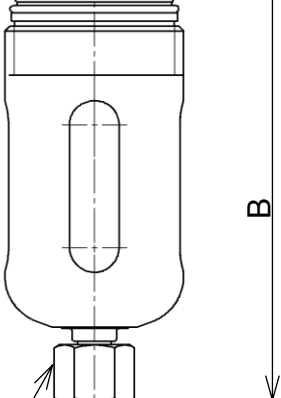
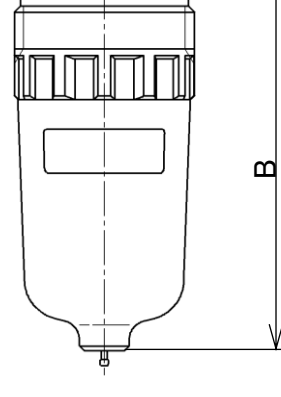
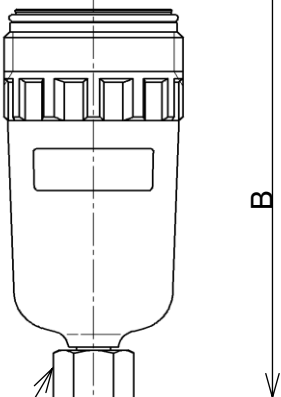
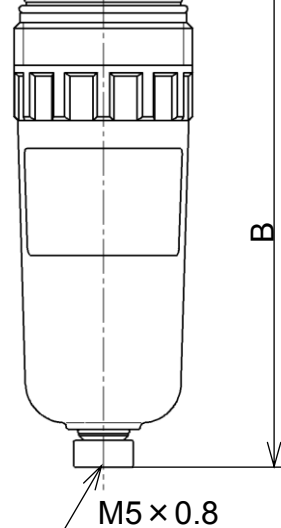
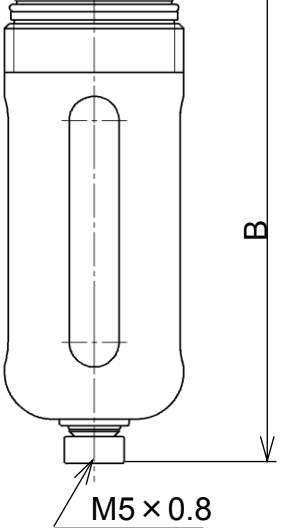
No.	Description	Material	Part No.			
			AFM20-A	AFM30-A	AFM40-A	AFM40-06-A
②	Element assembly	-	AFM20P-060AS	AFM30P-060AS	AFM40P-060AS	
③	Bowl packing	NBR	C2SFP-260S	C32FP-260S	C42FP-260S	
④	Bowl assembly	Polycarbonate	Refer to "9. SPECIFICATIONS OF BOWL ASSEMBLY" (P11 to P18).			
	Auto drain (N.C.)	Polycarbonate				
	Auto drain (N.O.)	Polycarbonate				
⑤	^{Note1)} Bracket assembly	Steel plate	AF22P-050AS	AF32P-050AS	AF42P-050AS	AF42P-070AS

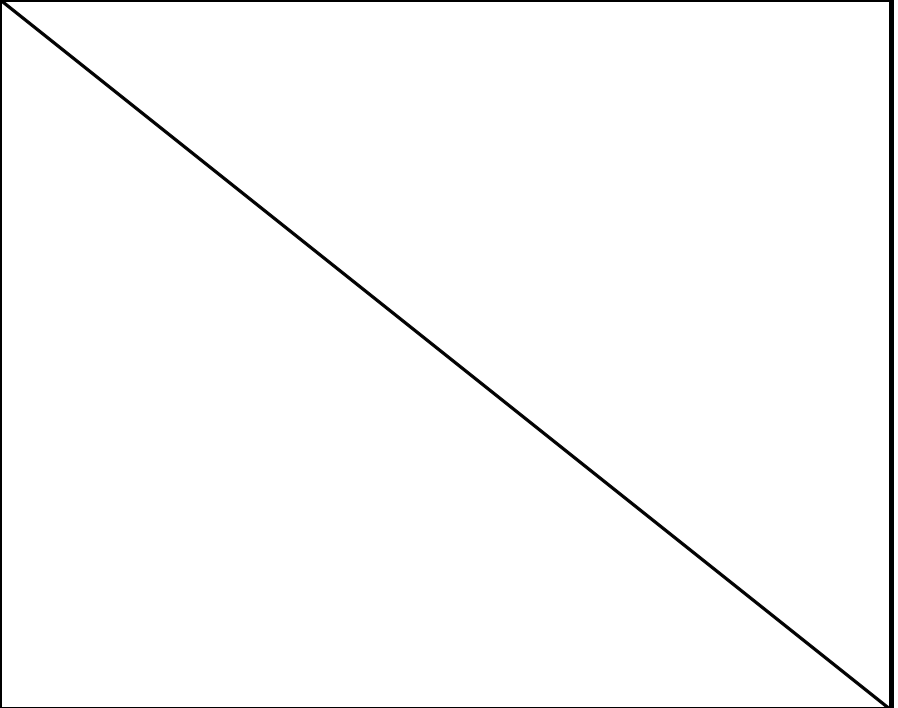
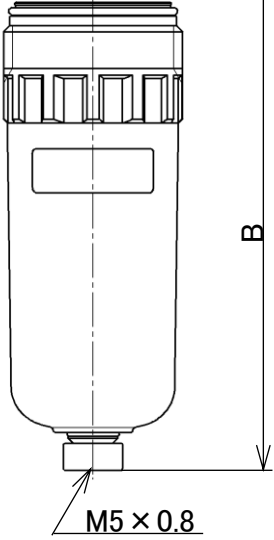
Note 1) Bracket with mounting screws.(2pcs)

Note 2) The number in the table is corresponding to the number in structural drawing (above-mentioned figure) and "9. SPECIFICATIONS OF BOWL ASSEMBLY" (P11 to P18), "11. DISASSEMBLY DRAWING" (P23).

9. SPECIFICATIONS OF BOWL ASSEMBLY

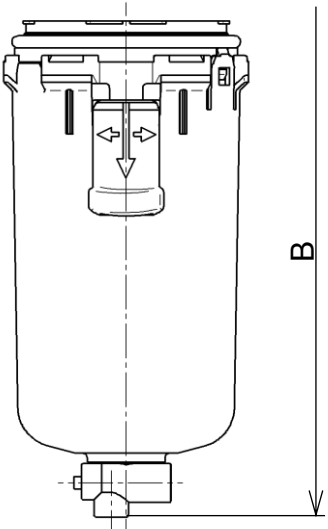
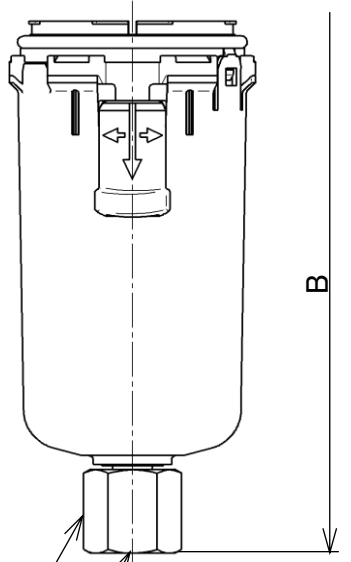
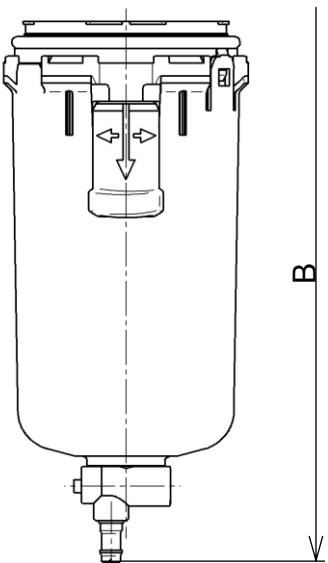
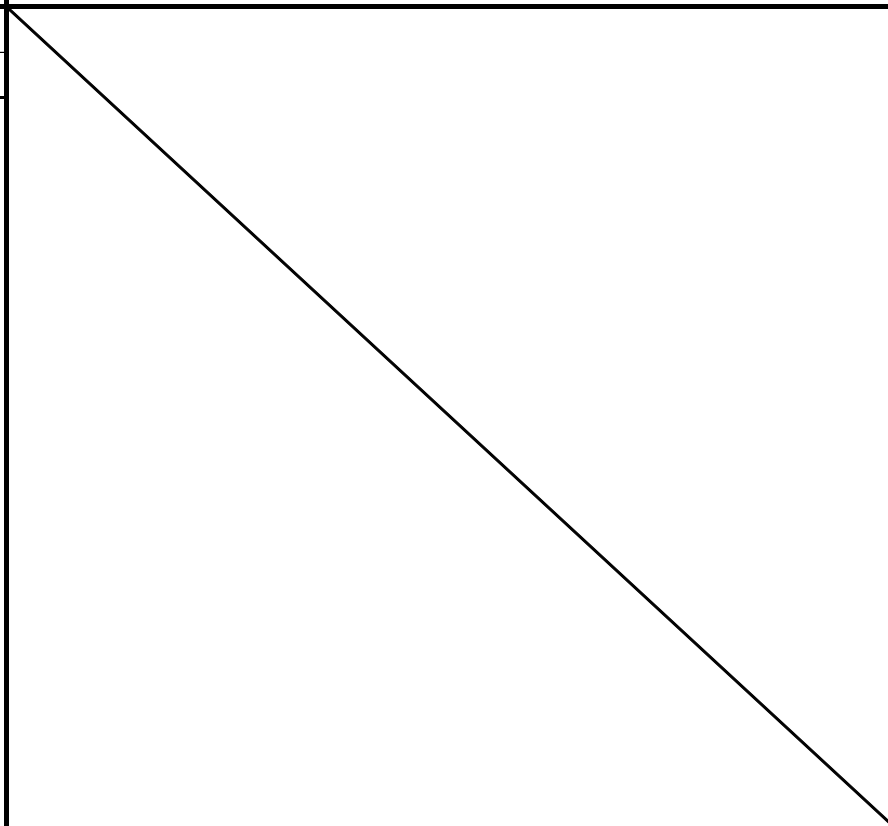
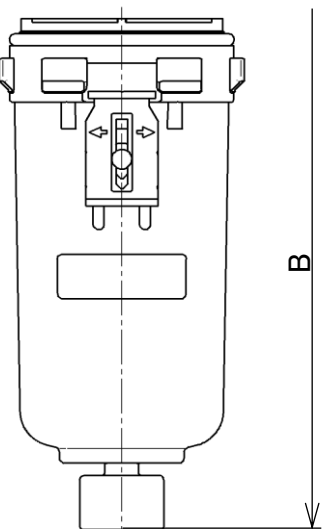
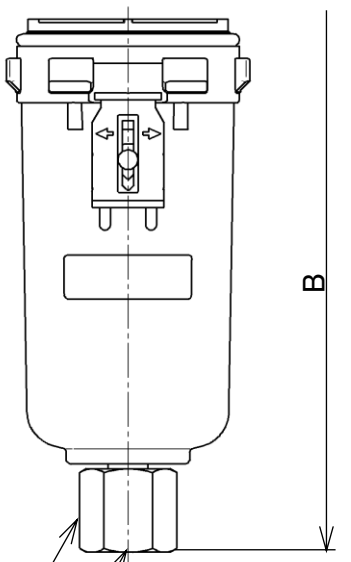
1) Bowl assembly / Auto drain for AFM20-A

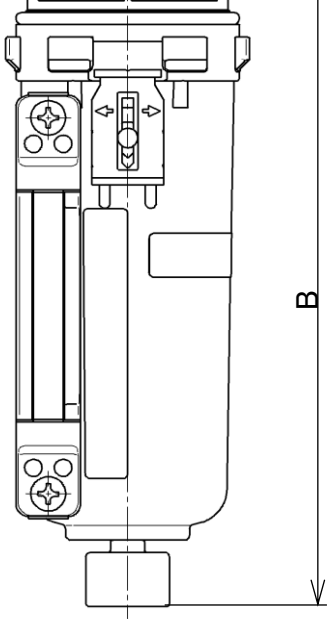
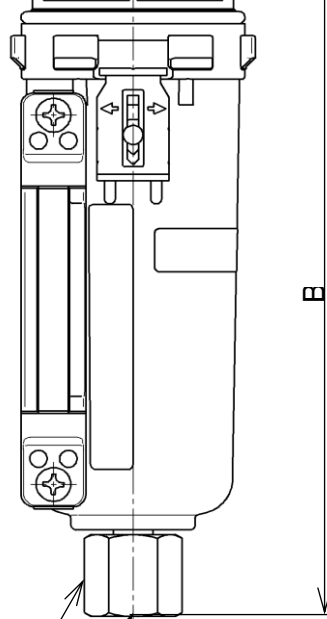
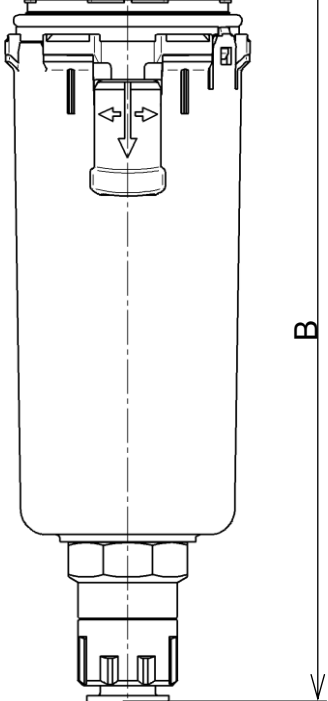
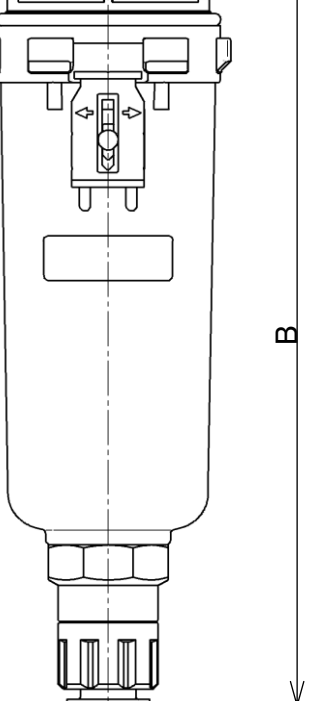
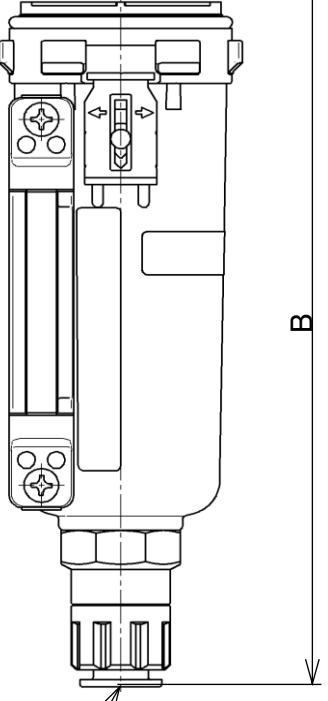
Option	—		—	
Semi-standard	—	6	C	6C
External appearance drawing and part no.	Semi-standard 「—」 (Standard)		Semi-standard 「C」	
	Port thread	④Part no.	Port thread	④Part no.
	Rc	C2SF-A	Rc	C2SF-C-A
	G		G	
	NPT	C2SF(-Z)-A	NPT	C2SF-C(Z)-A
	Semi-standard 「6」		Semi-standard 「6C」	
	Port thread	④Part no.	Port thread	④Part no.
	Rc	C2SF-6-A	Rc	C2SF-6C-A
	G		G	
	NPT	C2SF-6(Z)-A	NPT	C2SF-6C(Z)-A
				
		B		B
Option	—		—	
Semi-standard	J	6J	CJ	6CJ
External appearance drawing and part no.	Semi-standard 「J」		Semi-standard 「CJ」	
	Port thread	④Part no.	Port thread	④Part no.
	Rc	C2SF-J-A	Rc	C2SF-CJ-A
	G	C2SFF-J-A	G	C2SFF-CJ-A
	NPT	C2SFN-J(Z)-A	NPT	C2SFN-CJ(Z)-A
	Semi-standard 「6J」		Semi-standard 「6CJ」	
	Port thread	④Part no.	Port thread	④Part no.
	Rc	C2SF-6J-A	Rc	C2SF-6CJ-A
	G		G	
	NPT	C2SFN-6J(Z)-A	NPT	C2SFN-6CJ(Z)-A
				
		1/8 HEX. : 14		1/8 HEX. : 14
		B		B
Option	—		—	
Semi-standard	2	2J	2	2J
External appearance drawing and part no.	Semi-standard 「2」		Semi-standard 「2J」	
	Port thread	④Part no.	Port thread	④Part no.
	Rc	C2SF-2-A	Rc	C2SF-2J-A
	G		G	
	NPT	C2SF-2(Z)-A	NPT	C2SFN-2J(Z)-A
				
		B		B
				1/8 HEX. : 14
Option	Note 2) C		Note 2) C	
Semi-standard	—	6	C	6C
External appearance drawing and part no.	Semi-standard 「—」		Semi-standard 「C」	
	Port thread	④Part no.	Port thread	④Part no.
	Rc	AD27-A	Rc	AD27-C-A
	G		G	
	NPT	AD27(-Z)-A	NPT	AD27-C(Z)-A
	Semi-standard 「6」		Semi-standard 「6C」	
	Port thread	④Part no.	Port thread	④Part no.
	Rc	AD27-6-A	Rc	AD27-6C-A
	G		G	
	NPT	AD27-6(Z)-A	NPT	AD27-6C(Z)-A
				
		M5 x 0.8		M5 x 0.8
		B		B

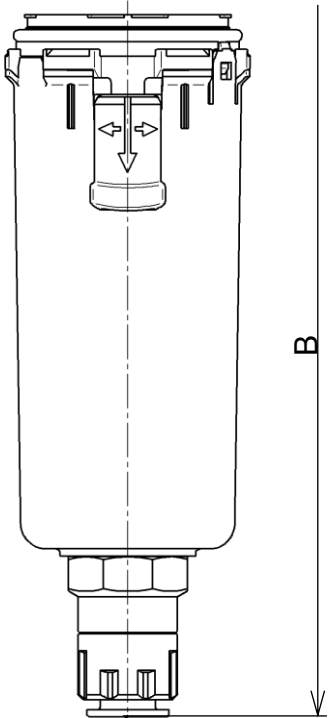
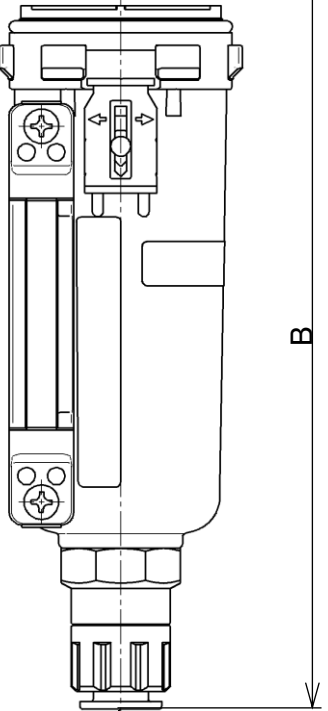
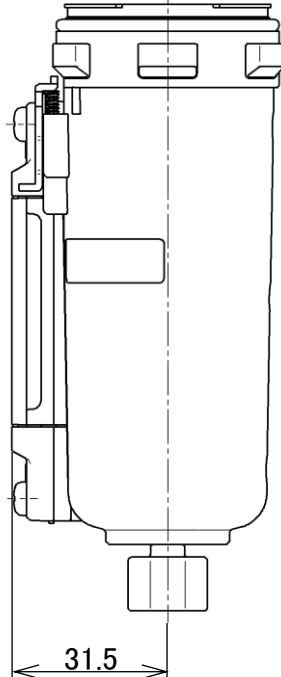
Option	Note 2) C								
Semi-standard	2								
External appearance drawing and part no.	<p data-bbox="478 299 701 329">Semi-standard 「2」</p> <table border="1" data-bbox="478 329 856 528"> <tr> <td data-bbox="478 329 625 409">Port thread</td> <td data-bbox="625 329 856 409">④Part no.</td> </tr> <tr> <td data-bbox="478 409 625 448">Rc</td> <td data-bbox="625 409 856 448" rowspan="2">AD27-2-A</td> </tr> <tr> <td data-bbox="478 448 625 486">G</td> </tr> <tr> <td data-bbox="478 486 625 528">NPT</td> <td data-bbox="625 486 856 528">AD27-2(Z)-A</td> </tr> </table> <div style="text-align: center; margin-top: 20px;">  </div>			Port thread	④Part no.	Rc	AD27-2-A	G	NPT
Port thread	④Part no.								
Rc	AD27-2-A								
G									
NPT	AD27-2(Z)-A								

- Note 1) B in the table shows the distance from inlet piping centreline to drain port. Refer to "12. DIMENSIONS" (P24).
- Note 2) Min. operating pressure is 0.1MPa.
- Note 3) The part with no. ④ includes ③ Bowl packing. Refer to "11. DISASSEMBLY DRAWING" (P23).
- Note 4) "Z" of the part with no. ④ is semi-standard for indicated unit of pressure and temperature, which is psi and °F.
- Note 5) The symbol for option and semi-standard are described as "4. HOW TO ORDER" (P7).

2) Bowl assembly / Auto drain for AFM30-A

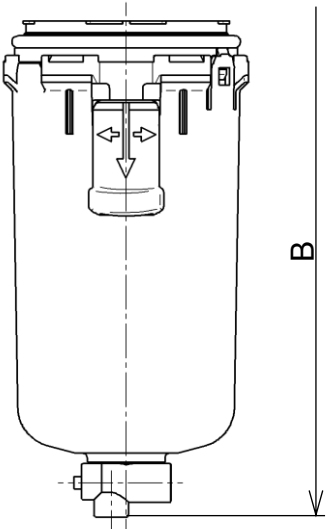
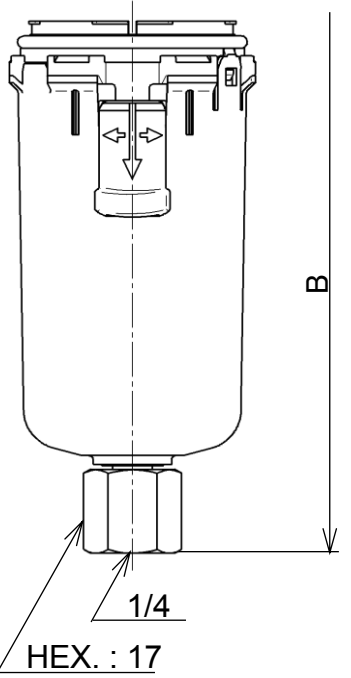
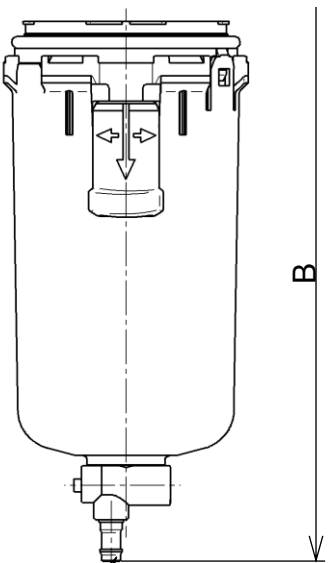
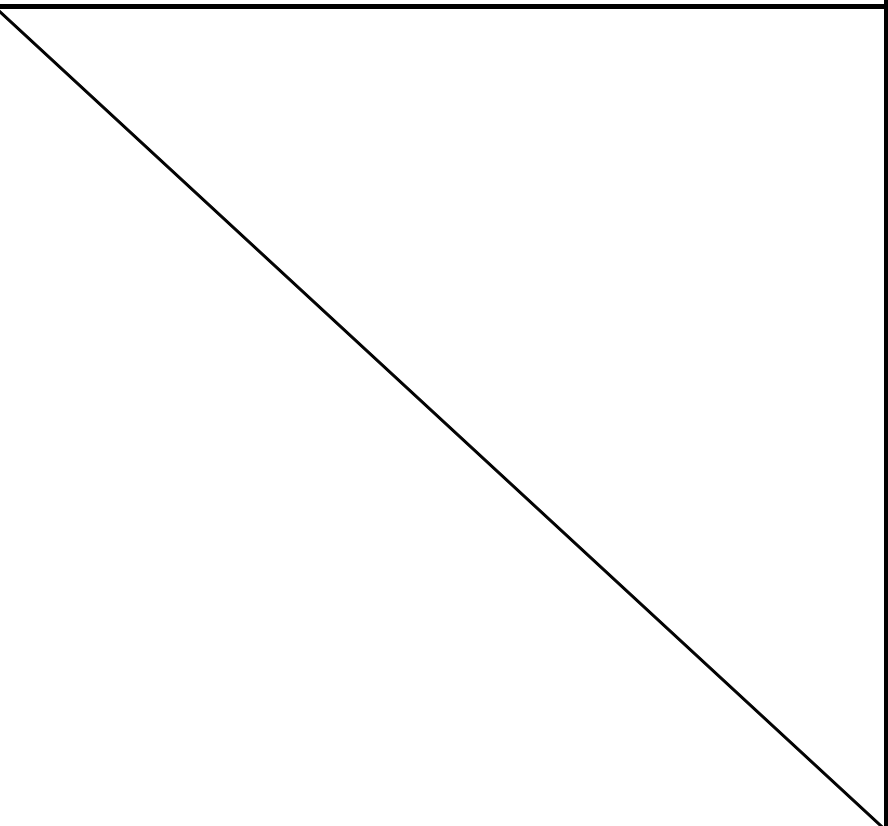
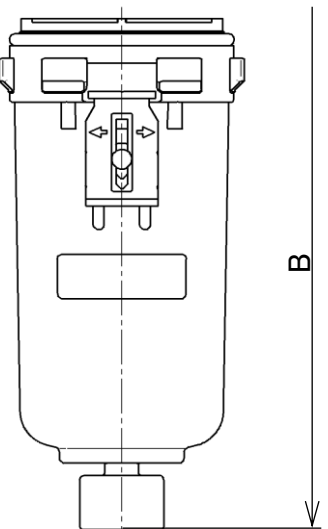
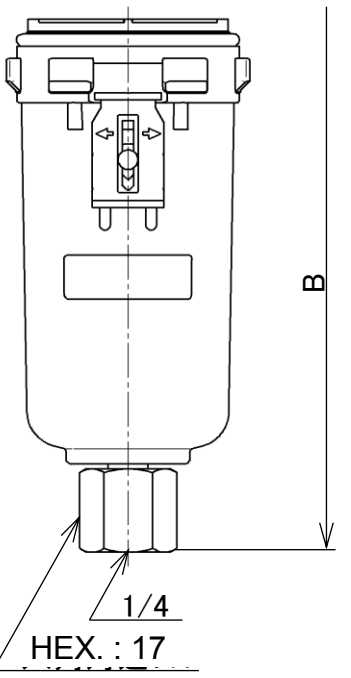
Option	-		-		
Semi-standard	-		6	J	
External appearance drawing and part no.	Semi-standard 「-」 (Standard)			Semi-standard 「J」	
	Port thread	④Part no.		Port thread	④Part no.
	Rc	C3SF-A	Rc	C3SF-J-A	
	G	C3SF-A	G	C3SFF-J-A	
	NPT	C3SF(-Z)-A	NPT	C3SFN-J(Z)-A	
	Semi-standard 「6」		Semi-standard 「6J」		
	Port thread	④Part no.	Port thread	④Part no.	
	Rc	C3SF-6-A	Rc	C3SF-6J-A	
	G	C3SF-6-A	G	C3SFF-6J-A	
	NPT	C3SF-6(Z)-A	NPT	C3SFN-6J(Z)-A	
					
			1/4 HEX. : 17		
Option	-		-		
Semi-standard	W		6W	J	
External appearance drawing and part no.	Semi-standard 「W」				
	Port thread	④Part no.			
	Rc	C3SF-W-A			
	G	C3SF-W-A			
	NPT	C3SF-W(Z)-A			
	Semi-standard 「W」				
	Port thread	④Part no.			
	Rc	C3SF-6W-A			
	G	C3SF-6W-A			
	NPT	C3SF-6W(Z)-A			
			Barb fitting Applicable tube T0604		
Option	-		-		
Semi-standard	2		2J		
External appearance drawing and part no.	Semi-standard 「2」			Semi-standard 「2J」	
	Port thread	④Part no.		Port thread	④Part no.
	Rc	C3SF-2-A	Rc	C3SF-2J-A	
	G	C3SF-2-A	G	C3SFF-2J-A	
	NPT	C3SF-2(Z)-A	NPT	C3SFN-2J(Z)-A	
					
			1/4 HEX. : 17		

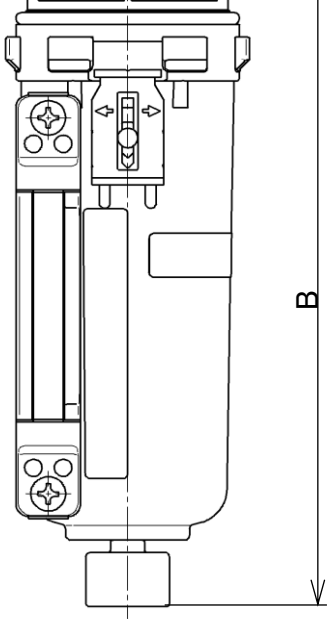
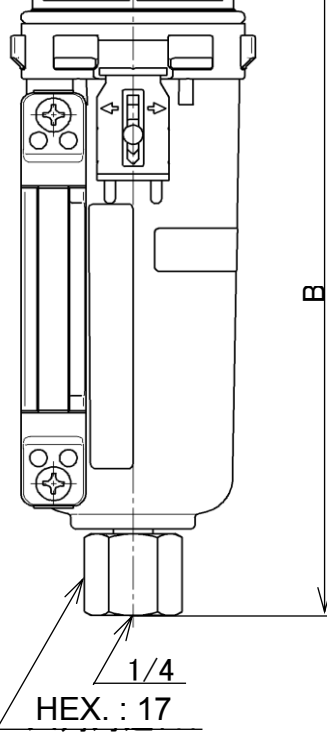
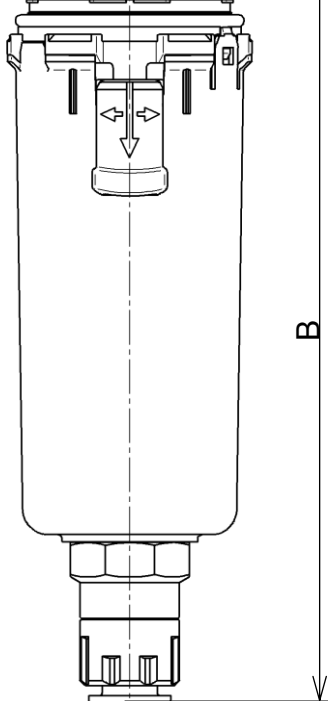
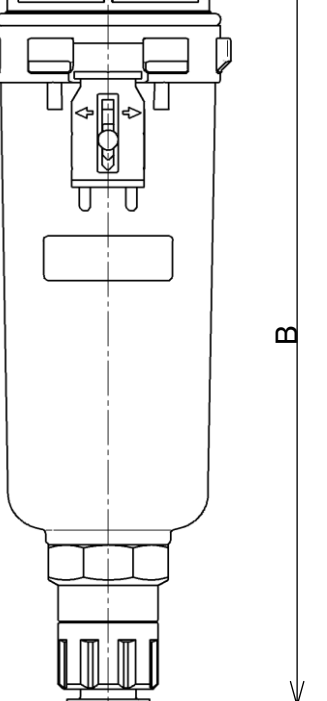
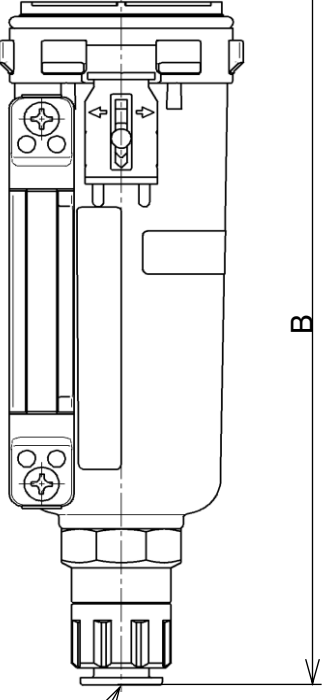
Option	—		—																									
Semi-standard	8		8J																									
External appearance drawing and part no.	<p>Semi-standard 「8」</p> <table border="1" data-bbox="472 335 856 528"> <tr> <td>Port thread</td> <td>④Part no.</td> </tr> <tr> <td>Rc</td> <td>C3LF-8-A</td> </tr> <tr> <td>G</td> <td>C3LF-8-A</td> </tr> <tr> <td>NPT</td> <td>C3LF-8(Z)-A</td> </tr> </table> 		Port thread	④Part no.	Rc	C3LF-8-A	G	C3LF-8-A	NPT	C3LF-8(Z)-A	<p>Semi-standard 「8J」</p> <table border="1" data-bbox="1276 335 1661 528"> <tr> <td>Port thread</td> <td>④Part no.</td> </tr> <tr> <td>Rc</td> <td>C3LF-8J-A</td> </tr> <tr> <td>G</td> <td>C3LFF-8J-A</td> </tr> <tr> <td>NPT</td> <td>C3LFN-8J(Z)-A</td> </tr> </table>  <p>1/4 HEX: 17 六角对边: 17</p>		Port thread	④Part no.	Rc	C3LF-8J-A	G	C3LFF-8J-A	NPT	C3LFN-8J(Z)-A								
Port thread	④Part no.																											
Rc	C3LF-8-A																											
G	C3LF-8-A																											
NPT	C3LF-8(Z)-A																											
Port thread	④Part no.																											
Rc	C3LF-8J-A																											
G	C3LFF-8J-A																											
NPT	C3LFN-8J(Z)-A																											
Option	Note 2) C		Note 2) C																									
Semi-standard	—	6	2	C																								
External appearance drawing and part no.	<p>Semi-standard 「—」</p> <table border="1" data-bbox="472 1151 856 1344"> <tr> <td>Port thread</td> <td>④Part no.</td> </tr> <tr> <td>Rc</td> <td>AD37-A</td> </tr> <tr> <td>G</td> <td>AD37-A</td> </tr> <tr> <td>NPT</td> <td>AD37N(-Z)-A</td> </tr> </table> <p>Semi-standard 「6」</p> <table border="1" data-bbox="472 1418 856 1611"> <tr> <td>Port thread</td> <td>④Part no.</td> </tr> <tr> <td>Rc</td> <td>AD37-6-A</td> </tr> <tr> <td>G</td> <td>AD37-6-A</td> </tr> <tr> <td>NPT</td> <td>AD37N-6(Z)-A</td> </tr> </table>  <p>Applicable tube external DIA. Φ 10 (NPT: Φ3/8")</p>		Port thread	④Part no.	Rc	AD37-A	G	AD37-A	NPT	AD37N(-Z)-A	Port thread	④Part no.	Rc	AD37-6-A	G	AD37-6-A	NPT	AD37N-6(Z)-A	<p>Semi-standard 「2」</p> <table border="1" data-bbox="1276 1151 1661 1344"> <tr> <td>Port thread</td> <td>④Part no.</td> </tr> <tr> <td>Rc</td> <td>AD37-2-A</td> </tr> <tr> <td>G</td> <td>AD37-2-A</td> </tr> <tr> <td>NPT</td> <td>AD37N-2(Z)-A</td> </tr> </table>  <p>Applicable tube external DIA. Φ10 (NPT:Φ3/8")</p>		Port thread	④Part no.	Rc	AD37-2-A	G	AD37-2-A	NPT	AD37N-2(Z)-A
Port thread	④Part no.																											
Rc	AD37-A																											
G	AD37-A																											
NPT	AD37N(-Z)-A																											
Port thread	④Part no.																											
Rc	AD37-6-A																											
G	AD37-6-A																											
NPT	AD37N-6(Z)-A																											
Port thread	④Part no.																											
Rc	AD37-2-A																											
G	AD37-2-A																											
NPT	AD37N-2(Z)-A																											
Option	Note 2) C																											
Semi-standard	8																											
External appearance drawing and part no.	<p>Semi-standard 「8」</p> <table border="1" data-bbox="472 2083 856 2276"> <tr> <td>Port thread</td> <td>④Part no.</td> </tr> <tr> <td>Rc</td> <td>AD37-8-A</td> </tr> <tr> <td>G</td> <td>AD37-8-A</td> </tr> <tr> <td>NPT</td> <td>AD37N-8(Z)-A</td> </tr> </table>  <p>Applicable tube external DIA. Φ 10 (NPT: Φ3/8")</p>		Port thread	④Part no.	Rc	AD37-8-A	G	AD37-8-A	NPT	AD37N-8(Z)-A																		
Port thread	④Part no.																											
Rc	AD37-8-A																											
G	AD37-8-A																											
NPT	AD37N-8(Z)-A																											

Option	Note 2) D		Note 2) D																
Semi-standard	—	6	2																
External appearance drawing and part no.	Semi-standard 「—」		Semi-standard 「2」																
	<table border="1"> <tr> <td>Port thread</td> <td>④Part no.</td> </tr> <tr> <td>Rc</td> <td>AD38-A</td> </tr> <tr> <td>G</td> <td></td> </tr> <tr> <td>NPT</td> <td>AD38N(-Z)-A</td> </tr> </table>	Port thread	④Part no.	Rc	AD38-A	G		NPT	AD38N(-Z)-A	 <p>Applicable tube external DIA. Φ10 (NPT : Φ3/8")</p>	<table border="1"> <tr> <td>Port thread</td> <td>④Part no.</td> </tr> <tr> <td>Rc</td> <td>AD38-2-A</td> </tr> <tr> <td>G</td> <td></td> </tr> <tr> <td>NPT</td> <td>AD38N-2(Z)-A</td> </tr> </table>	Port thread	④Part no.	Rc	AD38-2-A	G		NPT	AD38N-2(Z)-A
Port thread	④Part no.																		
Rc	AD38-A																		
G																			
NPT	AD38N(-Z)-A																		
Port thread	④Part no.																		
Rc	AD38-2-A																		
G																			
NPT	AD38N-2(Z)-A																		
Semi-standard 「6」		Semi-standard 「2」																	
	<table border="1"> <tr> <td>Port thread</td> <td>④Part no.</td> </tr> <tr> <td>Rc</td> <td>AD38-6-A</td> </tr> <tr> <td>G</td> <td></td> </tr> <tr> <td>NPT</td> <td>AD38N-6(Z)-A</td> </tr> </table>	Port thread	④Part no.	Rc	AD38-6-A	G		NPT	AD38N-6(Z)-A										
Port thread	④Part no.																		
Rc	AD38-6-A																		
G																			
NPT	AD38N-6(Z)-A																		
Option	Note 2) D		Metal bowl with level gauge Side view																
Semi-standard	8																		
External appearance drawing and part no.	Semi-standard 「8」																		
	<table border="1"> <tr> <td>Port thread</td> <td>④Part no.</td> </tr> <tr> <td>Rc</td> <td>AD38-8-A</td> </tr> <tr> <td>G</td> <td></td> </tr> <tr> <td>NPT</td> <td>AD38N-8(Z)-A</td> </tr> </table>	Port thread	④Part no.	Rc	AD38-8-A	G		NPT	AD38N-8(Z)-A	 <p>Applicable tube external DIA. Φ10 (NPT : Φ 3/8")</p>	 <p>31.5</p>								
Port thread	④Part no.																		
Rc	AD38-8-A																		
G																			
NPT	AD38N-8(Z)-A																		

- Note 1) B in the table shows the distance from inlet piping centreline to drain port. Refer to "12. DIMENSIONS" (P24).
- Note 2) Min. operating pressure is 0.15MPa for N.C. type and 0.1MPa for N.O. type.
- Note 3) The part with no. ④ includes ③ Bowl packing. Refer to "11. DISASSEMBLY DRAWING" (P23).
- Note 4) "Z" of the part with no. ④ is semi-standard for indicated unit of pressure and temperature, which is psi and °F.
- Note 5) The symbol for option and semi-standard are described as "4. HOW TO ORDER" (P7).

3) Bowl assembly / Auto drain for AFM40-A

Option	-		-		
Semi-standard	-		6	J	
External appearance drawing and part no.	Semi-standard 「-」 (Standard)			Semi-standard 「J」	
	Port thread	④Part no.		Port thread	④Part no.
	Rc	C4SF-A	Rc	C4SF-J-A	
	G	C4SF-A	G	C4SFF-J-A	
	NPT	C4SF(-Z)-A	NPT	C4SFN-J(Z)-A	
	Semi-standard 「6」			Semi-standard 「6J」	
Port thread	④Part no.	Port thread		④Part no.	
Rc	C4SF-6-A	Rc	C4SF-6J-A		
G	C4SF-6-A	G	C4SFF-6J-A		
NPT	C4SF-6(Z)-A	NPT	C4SFN-6J(Z)-A		
	Semi-standard 「W」				
Port thread	④Part no.	Port thread			
Rc	C4SF-W-A	Rc	C4SF-6W-A		
G	C4SF-W-A	G	C4SF-6W-A		
NPT	C4SF-W(Z)-A	NPT	C4SF-6W(Z)-A		
	Semi-standard 「6W」		Barb fitting Applicable tube T0604		
	Semi-standard 「2」			Semi-standard 「2J」	
Port thread	④Part no.	Port thread		④Part no.	
Rc	C4SF-2-A	Rc	C4SF-2J-A		
G	C4SF-2-A	G	C4SFF-2J-A		
NPT	C4SF-2(Z)-A	NPT	C4SFN-2J(Z)-A		
	Semi-standard 「2J」			Semi-standard 「2J」	
Port thread	④Part no.	Port thread		④Part no.	
Rc	C4SF-2-A	Rc	C4SF-2J-A		
G	C4SF-2-A	G	C4SFF-2J-A		
NPT	C4SF-2(Z)-A	NPT	C4SFN-2J(Z)-A		
	Semi-standard 「2J」		1/4 HEX. : 17		

Option	—		—																									
Semi-standard	8		8J																									
External appearance drawing and part no.	<p>Semi-standard 「8」</p> <table border="1" data-bbox="472 335 856 528"> <tr> <td>Port thread</td> <td>④Part no.</td> </tr> <tr> <td>Rc</td> <td>C4LF-8-A</td> </tr> <tr> <td>G</td> <td>C4LF-8-A</td> </tr> <tr> <td>NPT</td> <td>C4LF-8(Z)-A</td> </tr> </table> 		Port thread	④Part no.	Rc	C4LF-8-A	G	C4LF-8-A	NPT	C4LF-8(Z)-A	<p>Semi-standard 「8J」</p> <table border="1" data-bbox="1276 335 1661 528"> <tr> <td>Port thread</td> <td>④Part no.</td> </tr> <tr> <td>Rc</td> <td>C4LF-8J-A</td> </tr> <tr> <td>G</td> <td>C4LFF-8J-A</td> </tr> <tr> <td>NPT</td> <td>C4LFN-8J(Z)-A</td> </tr> </table> 		Port thread	④Part no.	Rc	C4LF-8J-A	G	C4LFF-8J-A	NPT	C4LFN-8J(Z)-A								
Port thread	④Part no.																											
Rc	C4LF-8-A																											
G	C4LF-8-A																											
NPT	C4LF-8(Z)-A																											
Port thread	④Part no.																											
Rc	C4LF-8J-A																											
G	C4LFF-8J-A																											
NPT	C4LFN-8J(Z)-A																											
Option	Note 2) C		Note 2) C																									
Semi-standard	—		2																									
External appearance drawing and part no.	<p>Semi-standard 「—」</p> <table border="1" data-bbox="472 1151 856 1344"> <tr> <td>Port thread</td> <td>④Part no.</td> </tr> <tr> <td>Rc</td> <td>AD47-A</td> </tr> <tr> <td>G</td> <td>AD47-A</td> </tr> <tr> <td>NPT</td> <td>AD47N(-Z)-A</td> </tr> </table> <p>Semi-standard 「6」</p> <table border="1" data-bbox="472 1418 856 1611"> <tr> <td>Port thread</td> <td>④Part no.</td> </tr> <tr> <td>Rc</td> <td>AD47-6-A</td> </tr> <tr> <td>G</td> <td>AD47-6-A</td> </tr> <tr> <td>NPT</td> <td>AD47N-6(Z)-A</td> </tr> </table>  <p>Applicable tube external DIA. Φ10 (NPT: Φ3/8")</p>		Port thread	④Part no.	Rc	AD47-A	G	AD47-A	NPT	AD47N(-Z)-A	Port thread	④Part no.	Rc	AD47-6-A	G	AD47-6-A	NPT	AD47N-6(Z)-A	<p>Semi-standard 「2」</p> <table border="1" data-bbox="1276 1151 1661 1344"> <tr> <td>Port thread</td> <td>④Part no.</td> </tr> <tr> <td>Rc</td> <td>AD47-2-A</td> </tr> <tr> <td>G</td> <td>AD47-2-A</td> </tr> <tr> <td>NPT</td> <td>AD47N-2(Z)-A</td> </tr> </table>  <p>Applicable tube external DIA. Φ10 (NPT: Φ3/8")</p>		Port thread	④Part no.	Rc	AD47-2-A	G	AD47-2-A	NPT	AD47N-2(Z)-A
Port thread	④Part no.																											
Rc	AD47-A																											
G	AD47-A																											
NPT	AD47N(-Z)-A																											
Port thread	④Part no.																											
Rc	AD47-6-A																											
G	AD47-6-A																											
NPT	AD47N-6(Z)-A																											
Port thread	④Part no.																											
Rc	AD47-2-A																											
G	AD47-2-A																											
NPT	AD47N-2(Z)-A																											
Option	Note 2) C																											
Semi-standard	8																											
External appearance drawing and part no.	<p>Semi-standard 「8」</p> <table border="1" data-bbox="472 2083 856 2276"> <tr> <td>Port thread</td> <td>④Part no.</td> </tr> <tr> <td>Rc</td> <td>AD47-8-A</td> </tr> <tr> <td>G</td> <td>AD47-8-A</td> </tr> <tr> <td>NPT</td> <td>AD47N-8(Z)-A</td> </tr> </table>  <p>Applicable tube external DIA. Φ10 (NPT: Φ 3/8")</p>		Port thread	④Part no.	Rc	AD47-8-A	G	AD47-8-A	NPT	AD47N-8(Z)-A																		
Port thread	④Part no.																											
Rc	AD47-8-A																											
G	AD47-8-A																											
NPT	AD47N-8(Z)-A																											

Option	Note 2) D		Note 2) D																																
Semi-standard	—	6	2																																
External appearance drawing and part no.	Semi-standard 「—」		Semi-standard 「2」																																
	<table border="1"> <tr> <td>Port thread</td> <td>④Part no.</td> </tr> <tr> <td>Rc</td> <td>AD48-A</td> </tr> <tr> <td>G</td> <td></td> </tr> <tr> <td>NPT</td> <td>AD48N(-Z)-A</td> </tr> </table>	Port thread	④Part no.	Rc	AD48-A	G		NPT	AD48N(-Z)-A	<table border="1"> <tr> <td>Port thread</td> <td>④Part no.</td> </tr> <tr> <td>Rc</td> <td>AD48-6-A</td> </tr> <tr> <td>G</td> <td></td> </tr> <tr> <td>NPT</td> <td>AD48N-6(Z)-A</td> </tr> </table>	Port thread	④Part no.	Rc	AD48-6-A	G		NPT	AD48N-6(Z)-A	<table border="1"> <tr> <td>Port thread</td> <td>④Part no.</td> </tr> <tr> <td>Rc</td> <td>AD48-2-A</td> </tr> <tr> <td>G</td> <td></td> </tr> <tr> <td>NPT</td> <td>AD48N-2(Z)-A</td> </tr> </table>	Port thread	④Part no.	Rc	AD48-2-A	G		NPT	AD48N-2(Z)-A	<table border="1"> <tr> <td>Port thread</td> <td>④Part no.</td> </tr> <tr> <td>Rc</td> <td>AD48-2-A</td> </tr> <tr> <td>G</td> <td></td> </tr> <tr> <td>NPT</td> <td>AD48N-2(Z)-A</td> </tr> </table>	Port thread	④Part no.	Rc	AD48-2-A	G		NPT
Port thread	④Part no.																																		
Rc	AD48-A																																		
G																																			
NPT	AD48N(-Z)-A																																		
Port thread	④Part no.																																		
Rc	AD48-6-A																																		
G																																			
NPT	AD48N-6(Z)-A																																		
Port thread	④Part no.																																		
Rc	AD48-2-A																																		
G																																			
NPT	AD48N-2(Z)-A																																		
Port thread	④Part no.																																		
Rc	AD48-2-A																																		
G																																			
NPT	AD48N-2(Z)-A																																		
Option	Note 2) D																																		
Semi-standard	8		Metal bowl with level gauge Side view																																
External appearance drawing and part no.	Semi-standard 「8」																																		
	<table border="1"> <tr> <td>Port thread</td> <td>④Part no.</td> </tr> <tr> <td>Rc</td> <td>AD48-8-A</td> </tr> <tr> <td>G</td> <td></td> </tr> <tr> <td>NPT</td> <td>AD48N-8(Z)-A</td> </tr> </table>	Port thread	④Part no.	Rc	AD48-8-A	G		NPT	AD48N-8(Z)-A																										
Port thread	④Part no.																																		
Rc	AD48-8-A																																		
G																																			
NPT	AD48N-8(Z)-A																																		

- Note 1) B in the table shows the distance from inlet piping centreline to drain port. Refer to "12. DIMENSIONS" (P24).
- Note 2) Min. operating pressure is 0.15MPa for N.C. type and 0.1MPa for N.O. type.
- Note 3) The part with no. ④ includes ③ Bowl packing. Refer to "11. DISASSEMBLY DRAWING" (P23).
- Note 4) "Z" of the part with no. ④ is semi-standard for indicated unit of pressure and temperature, which is psi and °F.
- Note 5) The symbol for option and semi-standard are described as "4. HOW TO ORDER" (P7).

10. REPLACEMENT PROCEDURE

⚠ WARNING

- Before replacement, ensure that the air filter is not pressurized.
- Replace referring to "11. DISASSEMBLY DRAWING" (P23).
- After replacement, ensure that specified function is satisfied and external leakage is not found before starting operation.

1) Bowl assembly / element

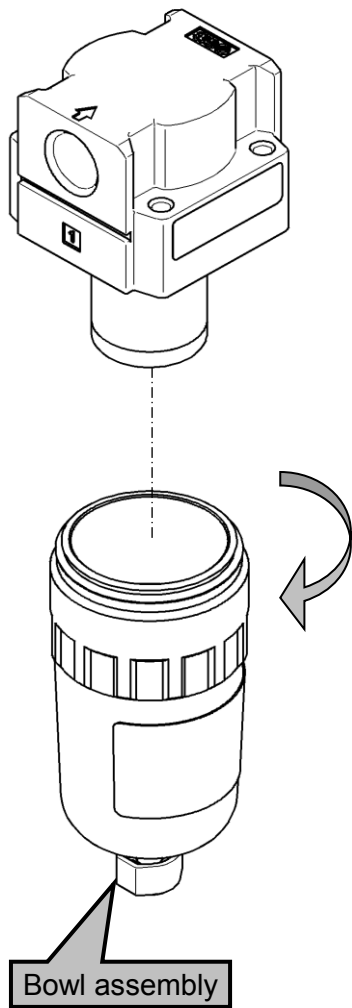
[AFM20-A]

<Disassembly>

Step 1

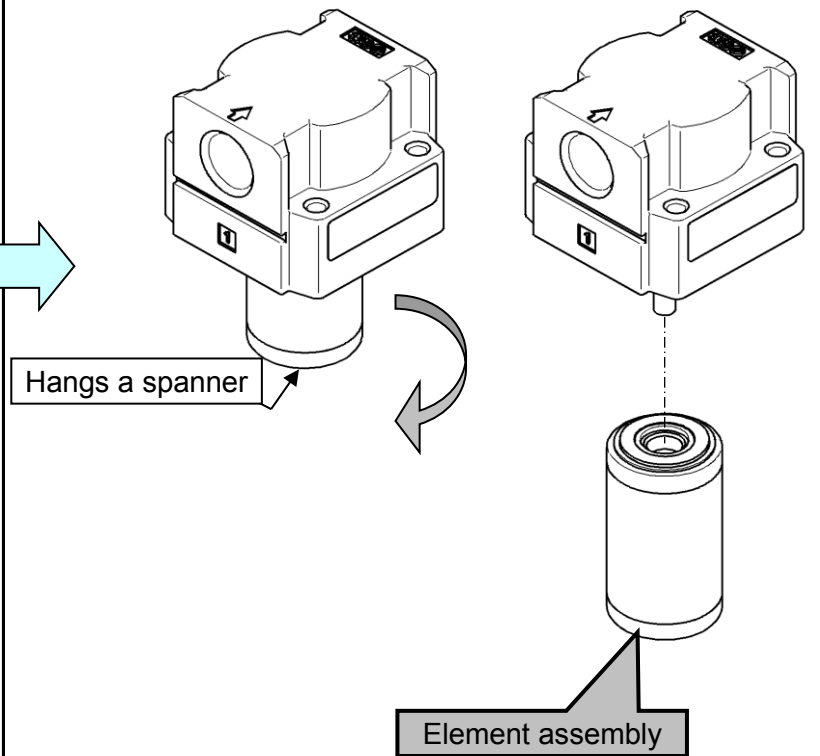
The bowl assembly is released counterclockwise, detaches it from the product. If the bowl assembly is tightened too much to be removed, use hook spanner until it can be loosened by hand.

(Hook spanner nominal: 34/38)



Step 2

Hold the element with a spanner to rotate it counterclockwise and remove the element. (Spanner Nominal: 7)

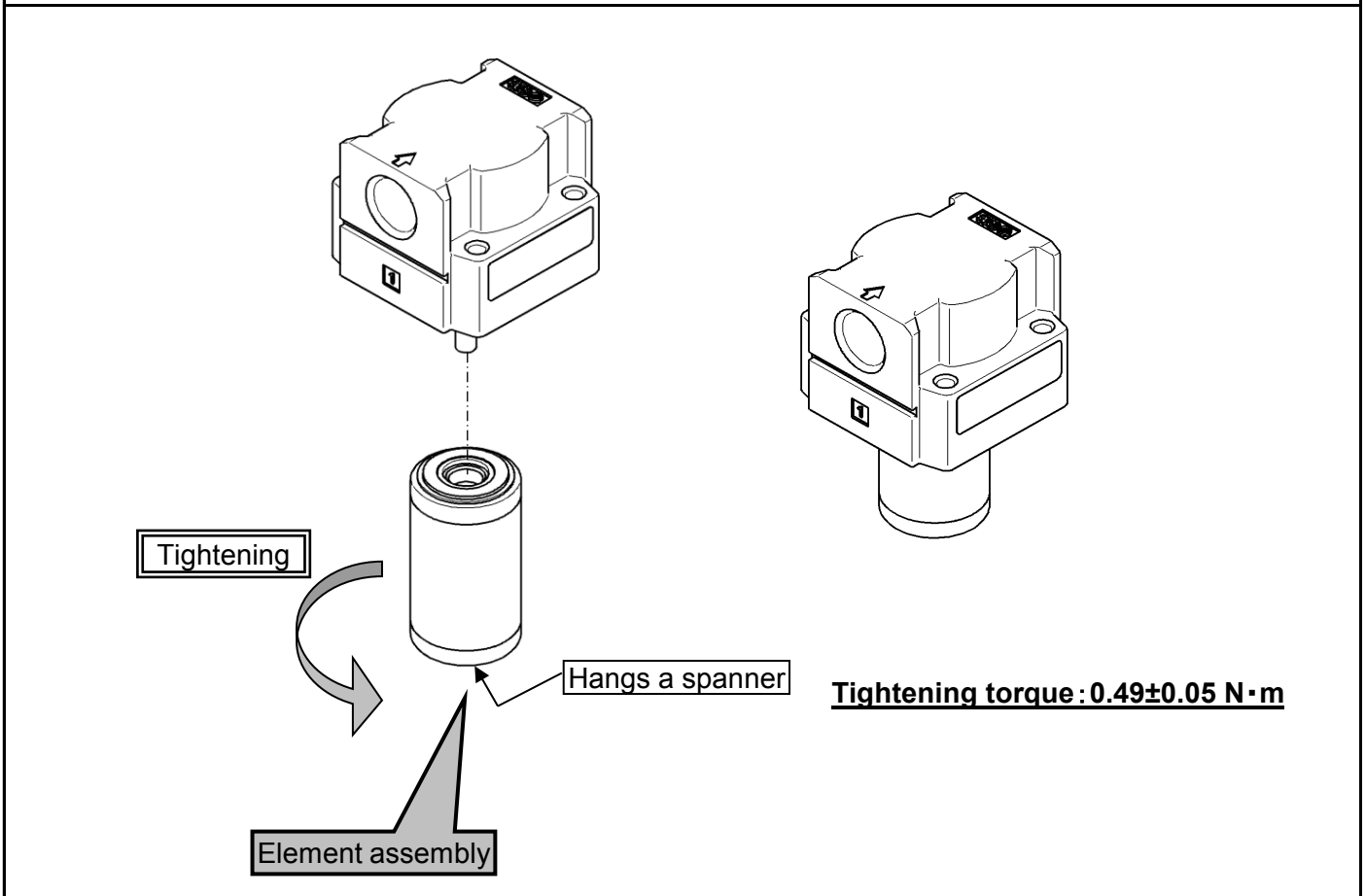


[AFM20-A]

<Assembly>

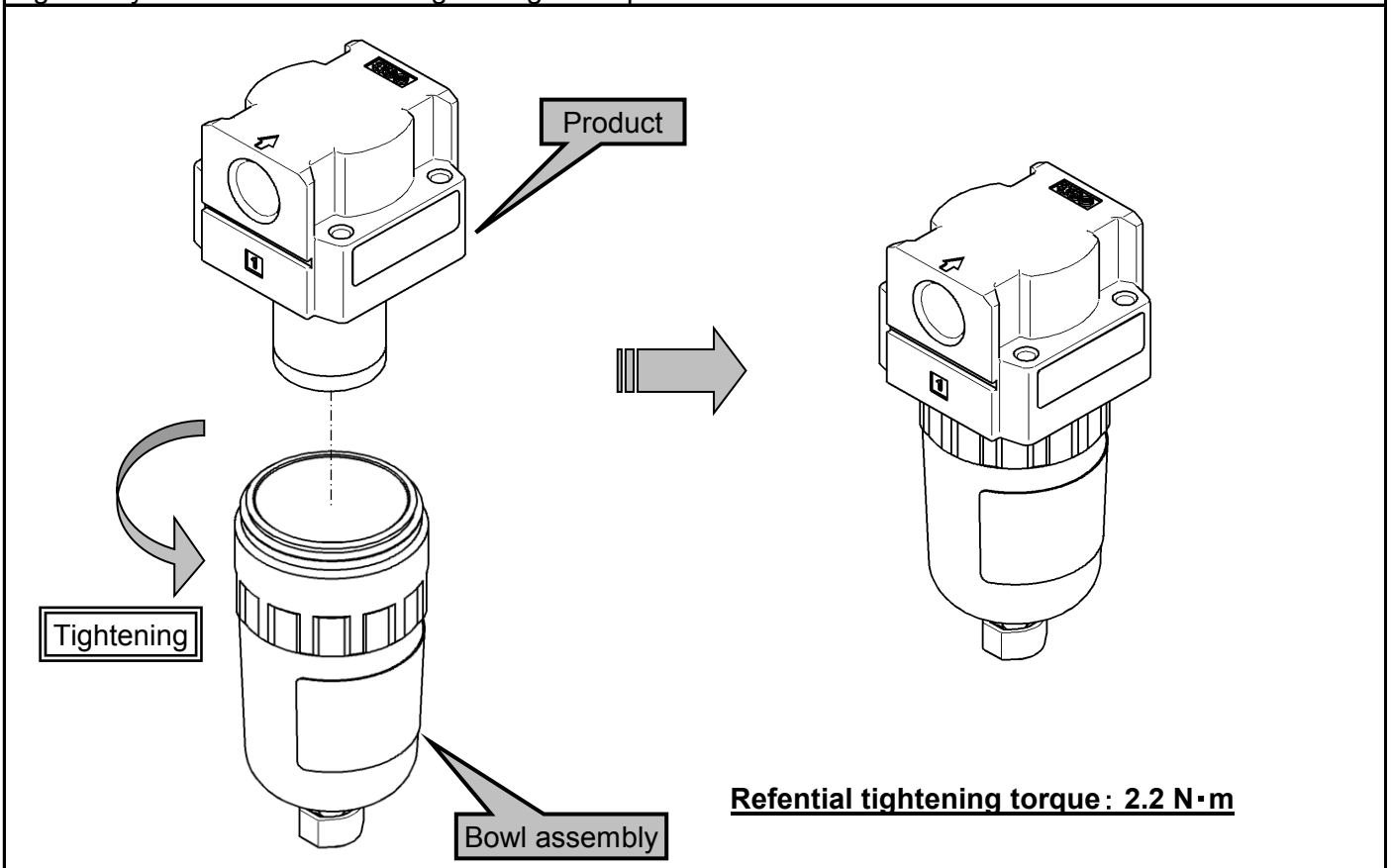
Step 1

Hold the element with a spanner to rotate it counterclockwise and remove the element. See check item for referential tightening torque. (Spanner Nominal : 7)



Step 2

The bowl assembly is rotated clockwise and secured to the product. Tighten by hand is the followed tightening to torque level shown.

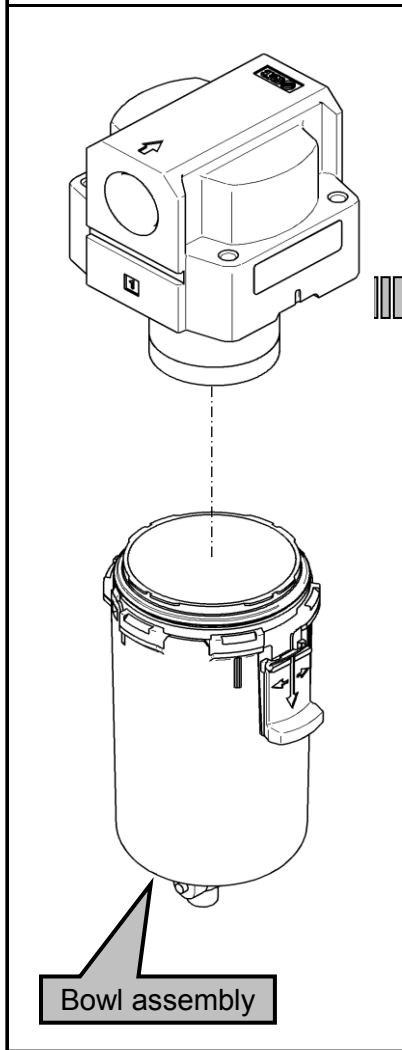


【AFM30, 40-A】

<Disassembly>

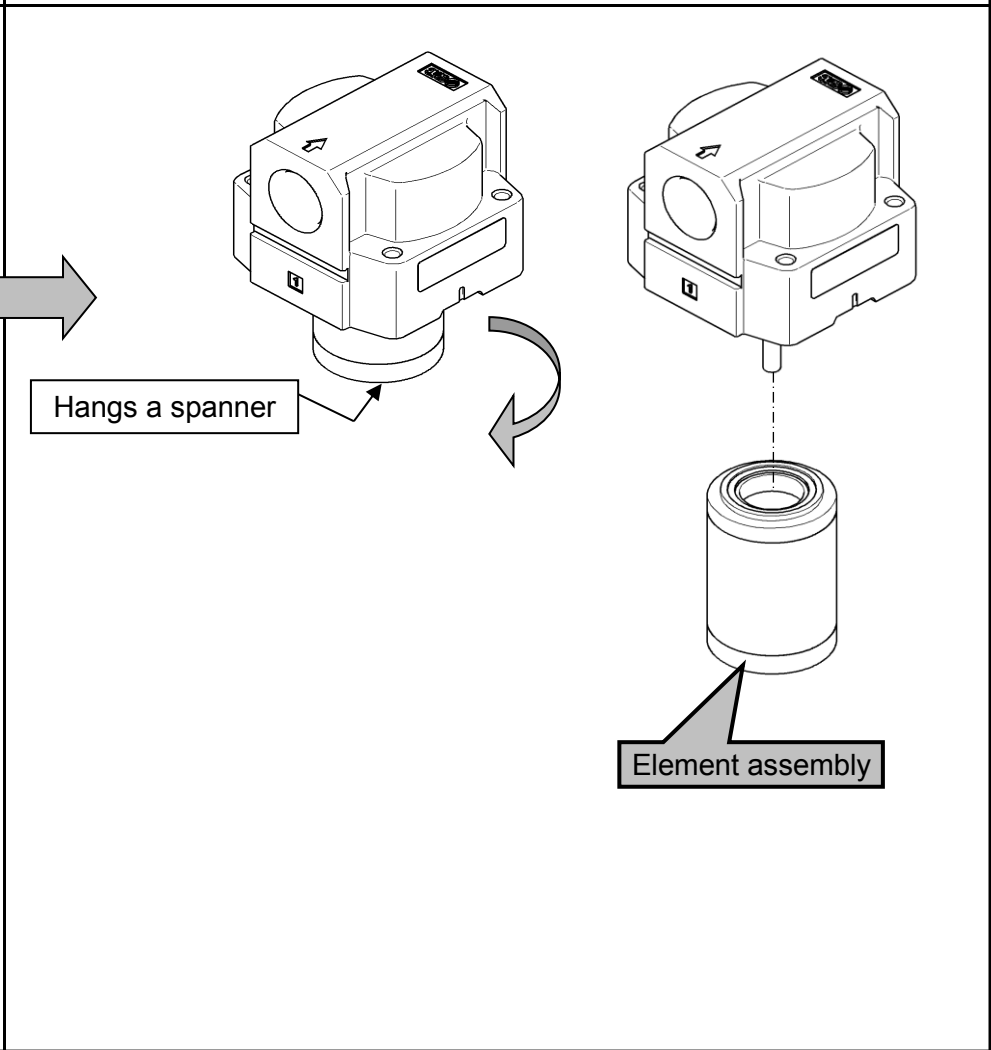
Step 1

The bowl assembly is detached from the product.



Step 2

Hold the element with a round pliers to rotate it counterclockwise and remove the element.

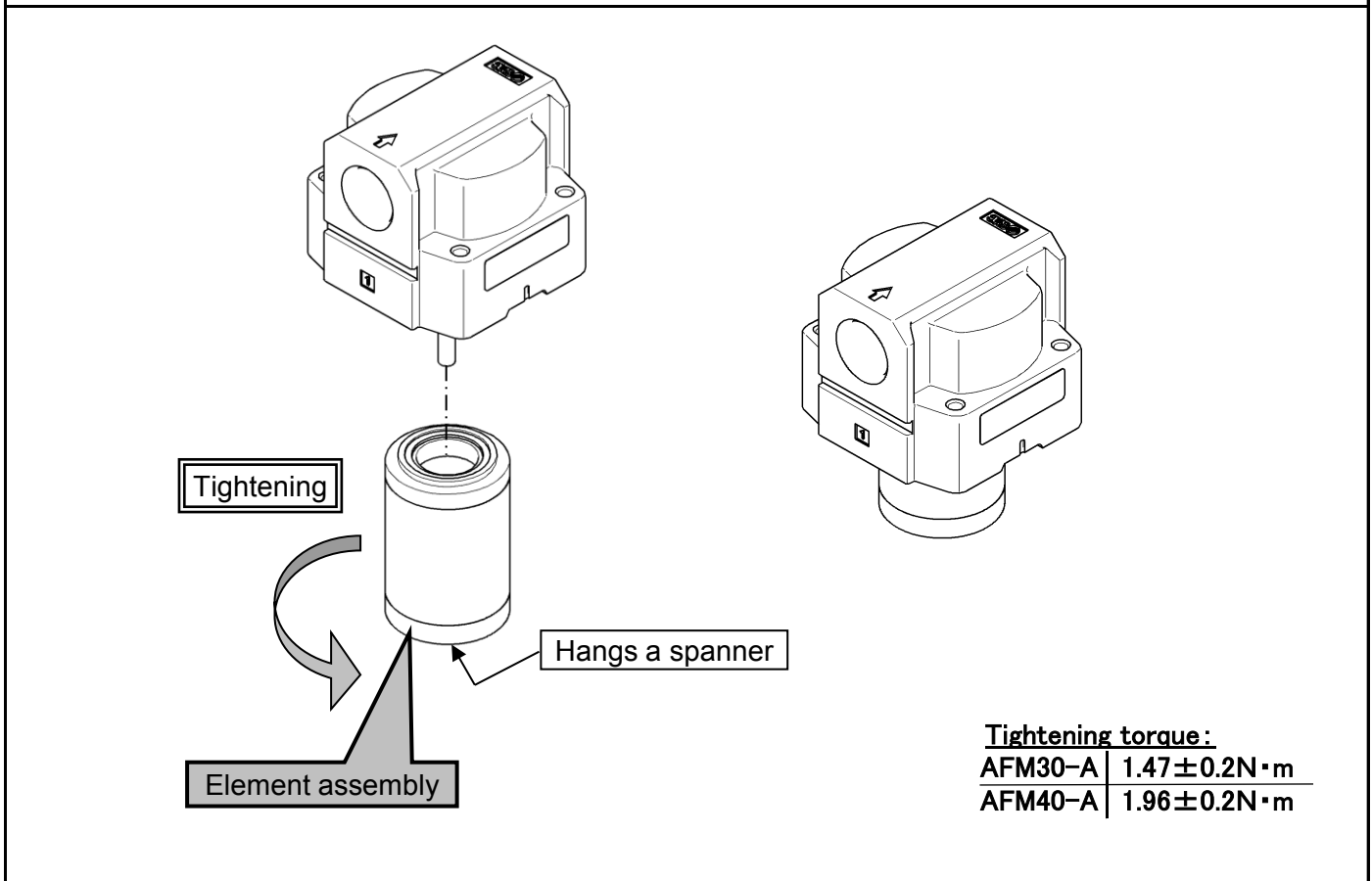


【AFM30, 40-A】

<Assembly>

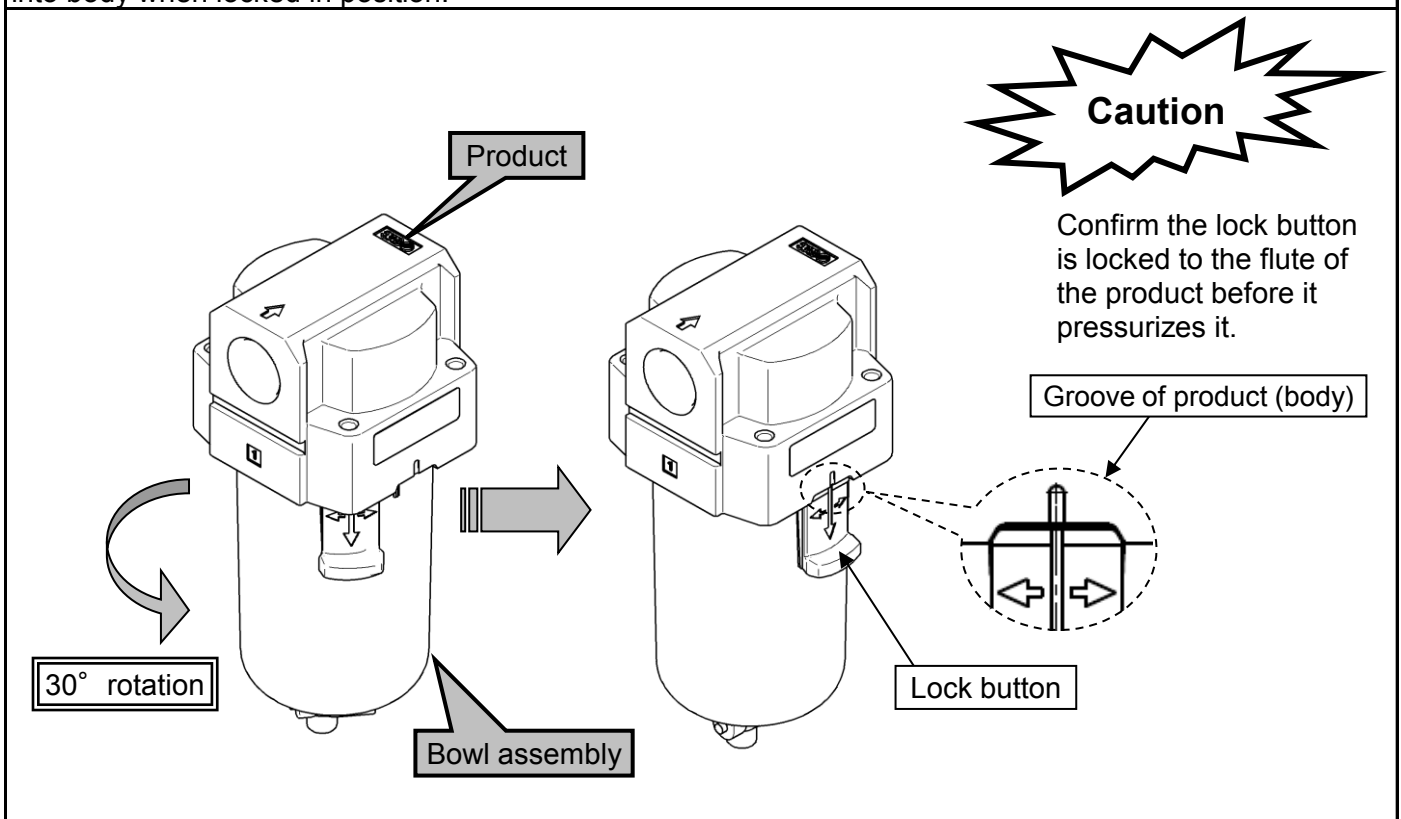
Step 1

Hold the element with a round pliers to rotate it counterclockwise and remove the element. See check item for referential tightening torque.



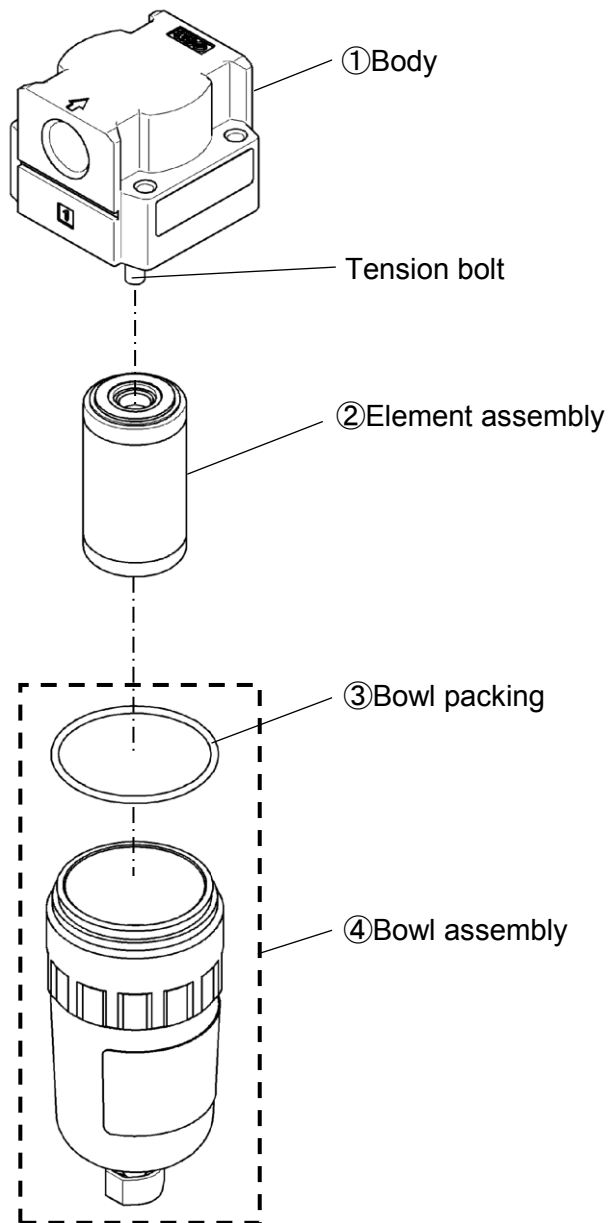
Step 2

The bowl assembly is rotated until the bowl assembly is attached to the product, and the lock button clicks into body when locked in position.

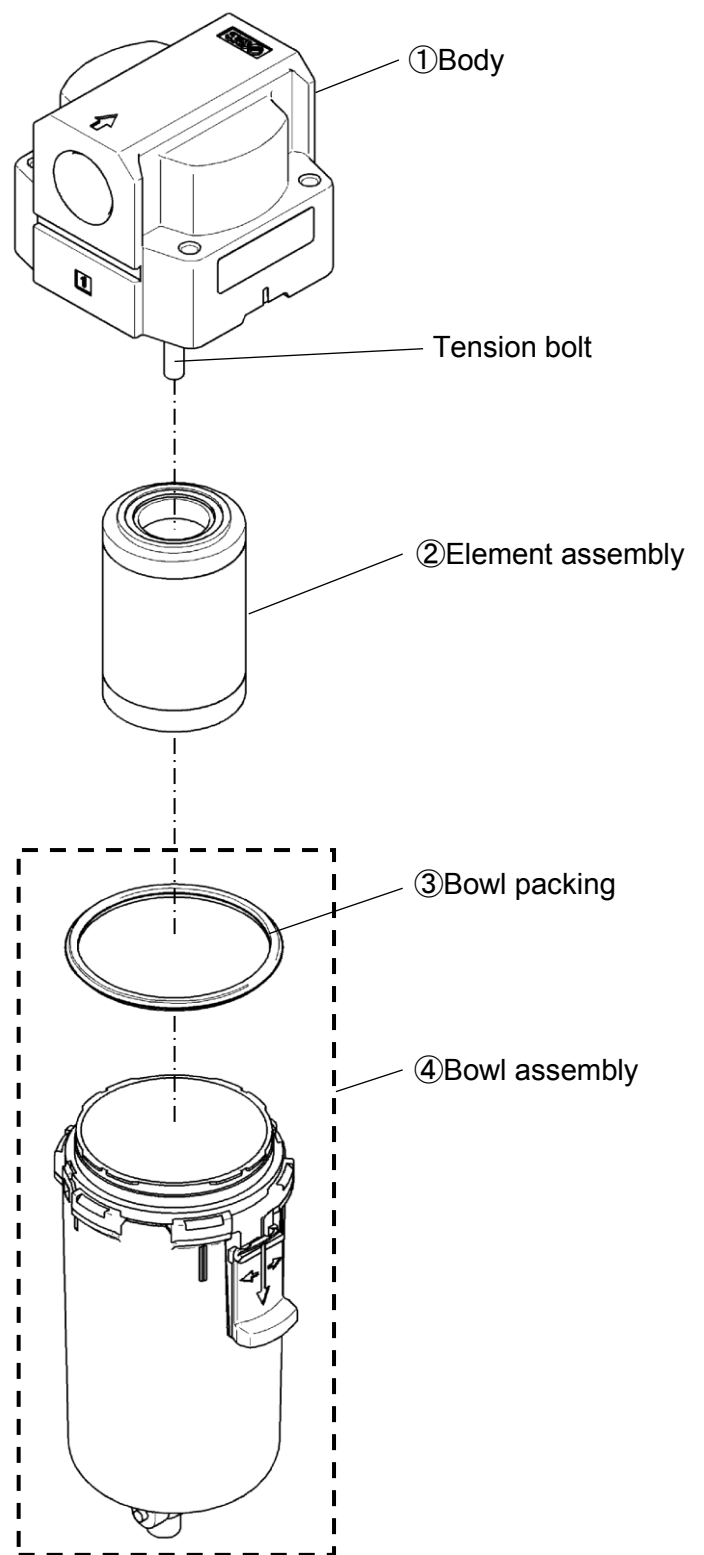


11. DISASSEMBLY DRAWING

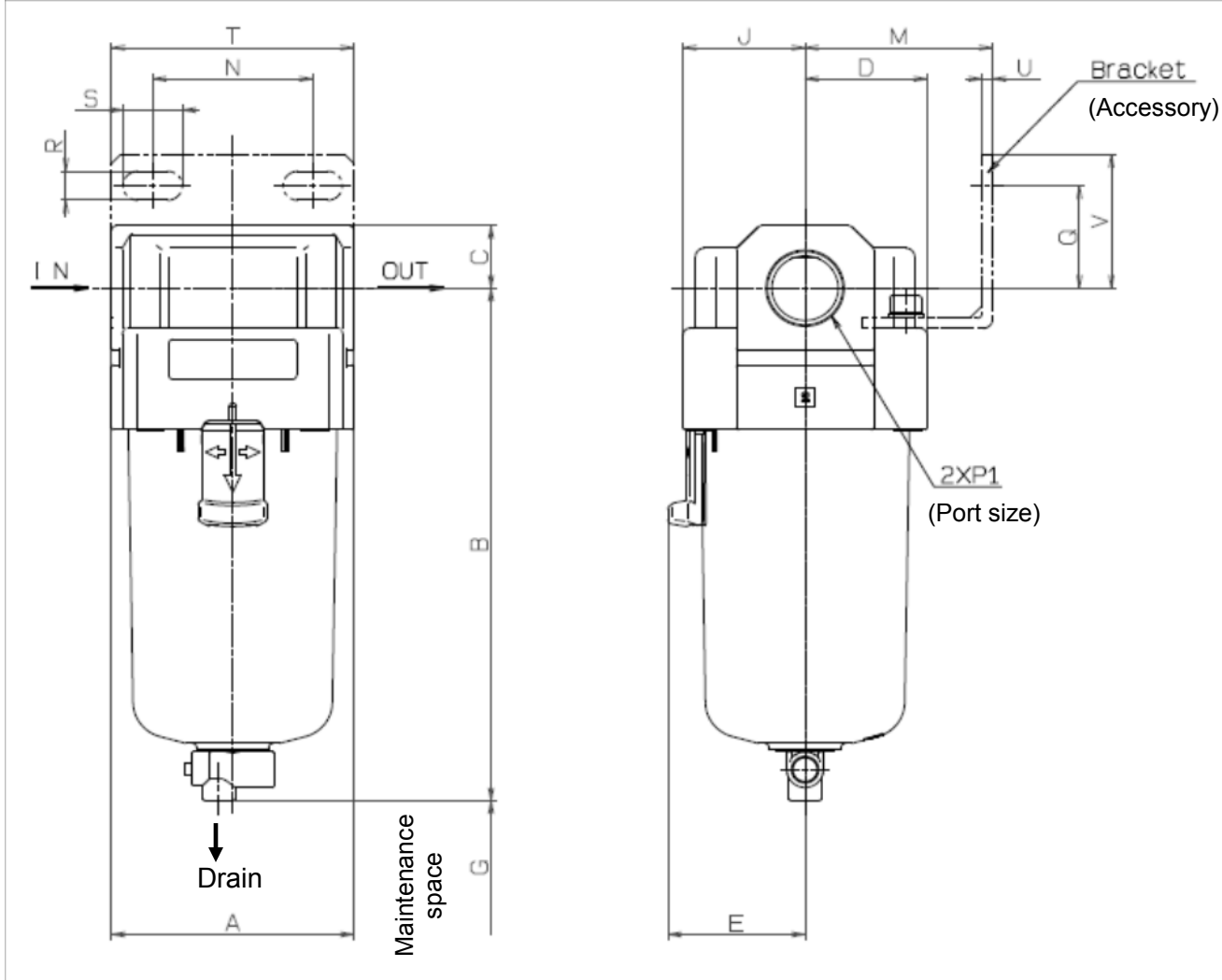
1) AFM20-A



2) AFM30, 40-A



12. DIMENSIONS



Dimensions

Model	Standard specifications						
	P1	A	B	C	D, J	E	G
AFM20-A	1/8·1/4	40	87.6	9.8	20	—	40
AFM30-A	1/4·3/8	53	115.1	14	26.7	30	50
AFM40-A	1/4·3/8·1/2	70	147.1	18	35.5	38.4	75
AFM40-06-A	3/4	75	149.1	20	35.5	38.4	75

Model	Bracket mount dimensions							
	M	N	Q	R	S	T	U	V
AFM20-A	30	27	22	5.4	8.4	40	2.3	28
AFM30-A	41	40	23	6.5	8	53	2.3	30
AFM40-A	50	54	26	8.5	10.5	70	2.3	35
AFM40-06-A	50	54	25	8.5	10.5	70	2.3	34

Dimension: B of auto-drain and optional bowl assembly

Option Semi-standard	-												
	2	6	8	C	6C	J	2J	6J	8J	CJ	6CJ	W	6W
AFM20-A	87.4	87.6	—	87.6	87.6	91.4	93.9	91.4	—	91.4	91.4	—	—
AFM30-A	117.6	115.1	137.6	—	—	121.9	122.1	121.9	142.1	—	—	123.6	123.6
AFM40-A	149.6	147.1	169.6	—	—	153.9	154.1	153.9	174.1	—	—	155.6	155.6
AFM40-06-A	151.6	149.1	171.6	—	—	155.9	156.1	155.9	176.1	—	—	157.6	157.6

Option Semi-standard	C						D			
	—	2	6	8	C	6C	—	2	6	8
AFM20-A	104.9	104.6	104.9	—	104.9	104.9	—	—	—	—
AFM30-A	156.8	156.8	156.8	156.8	—	—	156.8	156.8	156.8	156.8
AFM40-A	186.9	188.8	186.9	188.8	—	—	186.9	188.8	186.9	188.8
AFM40-06-A	188.9	190.8	188.9	190.8	—	—	188.9	190.8	188.9	190.8

Note 1) The specifications of auto-drain and optional bowl assembly are described in 「9. SPECIFICATIONS OF BOWL ASSEMBLY」(P11 to P18).

Revision history

- | | | |
|----------|---|--------|
| A | The tightening torque value of the element assy is changed. | 2017.4 |
| B | • P4 Addition:grease type,P9 Change: grease type.
• P5 Correction: 「Air Source」 CATION②
• P6 Correction:Filtration, Oil mist density at the out side, Flow rate, P8 Correction: bracket assy drawing.
• P18 Correction:dimension of metal bowl with level gauge.
• P24 Deletion:bracket assy disassembly drawing.
• 12. DIMENSIONS Addition:option,
Change:Shape of bracket assembly. | 2018.2 |

SMC Corporation

4-14-1, Sotokanda, Chiyoda-ku, Tokyo 101-0021 JAPAN

Tel: + 81 3 5207 8249 Fax: +81 3 5298 5362

URL <http://www.smcworld.com>